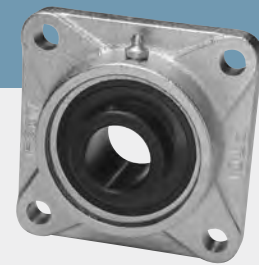
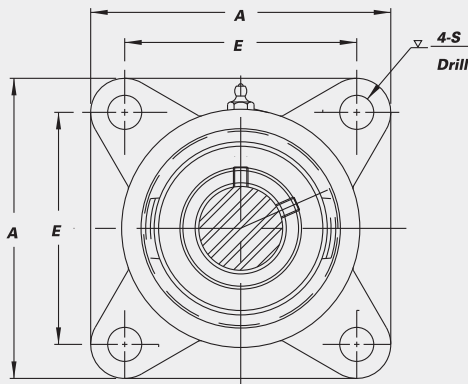
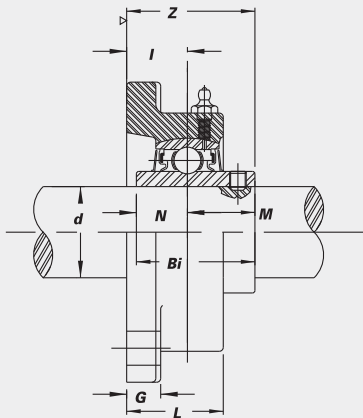


Nickel Plated 4-Bolt Flanges



With Black Oxide Bearing Inserts-BUCNPF

- B-type seals
- Overview of corrosion resistant products – pg. 48



Unit No.	Shaft Dia.		Dimensions (in.) (mm)									Bolt Used (in.)	Bearing No.	Housing No.	Weight (lbs.)	
	d (in.)	d (mm)	A	E	I	G	L	S	Z	Bi	N					M
BUCNPF 201-8 202-10	1/2 5/8	12.7 15.875	3 76	2 1/8 54	2 1/32 16.7	3/8 10	1 3/32 28	7/16 11	1 3/32 32.7	1.0236 26.0	0.3937 10.0	0.6299 16.0	3/8	BUCW 201-8 202-10	NPF 203	1.2
BUCNPF 204-12 204	3/4 20	19.05 508	3 3/8 86	2 1/2 64	1 9/32 15	7/16 11	1 25.4	7/16 11	1 5/16 33.3	1.2205 31.0	0.5000 12.7	0.7205 18.3	3/8	BUC 204-12 204	NPF 204	1.4
BUCNPF 205-14 205 205-16	7/8 1	22.225 25.4	3 3/4 95	2 3/4 70	5/8 16	1/2 13	1 1/16 27	29/64 11.5	1 13/32 35.7	1.3386 34.0	0.5630 14.3	0.7756 19.7	3/8	BUC 205-14 205 205-16	NPF 205	1.9
BUCNPF 206-18 206 206-19 206-20	1 1/8 1 3/16 1 1/4S	31.75 33.325 31.75	4 1/4 108	3 1/4 83	45/64 18	1/2 13	1 7/32 31	33/64 13	1 19/32 40.2	1.5000 38.1	0.6260 15.9	0.8740 22.2	7/16	BUC 206-18 206 206-19 206-20	NPF 206	2.4
BUCNPF 207-20 207-22 207 207-23	1 1/4 1 3/8 1 7/16	31.75 34.925 35 35	4 19/32 117	3 5/8 92	3/4 19	1 9/32 15	1 11/32 34	33/64 13	1 3/4 44.4	1.6890 42.9	0.6890 17.5	1.0000 25.4	7/16	BUC 207-20 207-22 207 207-23	NPF 207	3.3
BUCNPF 208-24 208	1 1/2	38.1	5 1/8 130	4 102	53/64 21	1 9/32 15	1 13/32 36	35/64 14	2 1/32 51.2	1.9370 49.2	0.7480 19.0	1.1890 30.2	1/2	BUC 208-24 208	NPF 208	4.2
BUCNPF 209-26 209-27 209-28 209	1 5/8 1 11/16 1 3/4 45	44.45 47.625 44.45 45	5 13/32 137	4 1/8 105	55/64 22	5/8 16	1 1/2 38	5/8 16	2 1/16 52.2	1.9370 49.2	0.7480 19.0	1.1890 30.2	9/16	BUC 209-26 209-27 209-28 209	NPF 209	5.2
BUCNPF 210-30 210-31 210 210-32	1 7/8 1 15/16 2S	47.625 49.225 50 50	5 5/8 143	4 3/8 111	55/64 22	5/8 16	1 9/16 40	5/8 16	2 5/32 54.6	2.0315 51.6	0.7480 19.0	1.2835 32.6	9/16	BUC 210-30 210-31 210 210-32	NPF 210	5.6
BUCNPF 211-32 211 211-35	2 2 3/16	50.8 54.0	6 3/8 162	5 1/8 130	63/64 25	23/32 18	1 11/16 43	43/64 17	2 5/16 58.4	2.1890 55.6	0.8740 22.2	1.3150 33.4	5/8	BUC 211-32 211 211-35	NPF 211	7.7
BUCNPF 212-36 212 212-39	2 1/4 2 1/16	60.325 63.5	6 7/8 175	5 5/8 143	1 9/64 29	23/32 18	1 7/8 48	43/64 17	2 23/32 68.7	2.5630 65.1	1.0000 25.4	1.5630 39.7	5/8	BUC 212-36 212 212-39	NPF 212	9.4
BUCNPF 213-40	2 1/2	63.5	7 3/8 187	5 7/8 143	1 3/16 30	7/8 22	1 31/32 50	43/64 17	2 3/4 69.7	2.5630 65.1	1.0000 25.4	1.5630 39.7	5/8	BUC 213-40	NPF 213	12.9
BUCNPF 215-47 215-48	2 5/16 3	65.125 76.2	7 7/8 200	6 1/4 159	1 11/32 34	7/8 22	2 7/32 56	3/4 19	3 3/32 78.5	3.0630 77.8	1.3110 33.3	1.7520 44.5	11/16	BUC 215-47 215-48	NPF 215	15.0

CORROSION RESISTANT