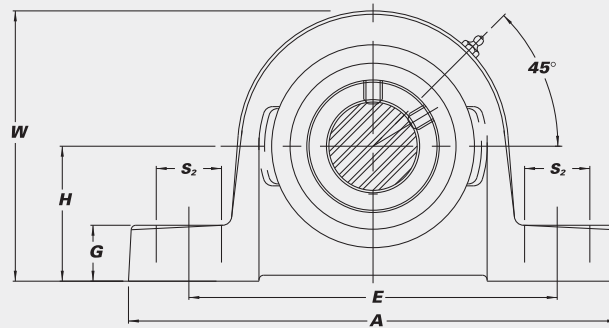
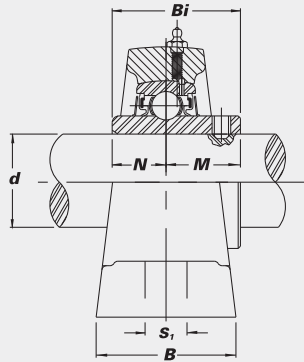
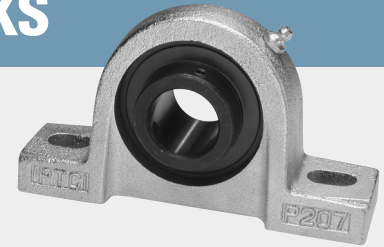


Nickel Plated Pillow Blocks



With Black Oxide Bearing Inserts-BUCNPP

- High Shaft Height
- B-type Seals
- Overview of corrosion resistant products – pg. 48



| Unit No. | Shaft Dia. | | Dimensions (in.) (mm) | | | | | | | | | | Bolt Used (in.) | Bearing No. | Housing No. | Weight (lbs.) |
|---------------|------------|----------|-----------------------|---------|---------|-------|----------------|----------------|---------|--------|--------|--------|-----------------|-------------|-------------|---------------|
| | d (in.) | d (mm) | H | A | E | B | S ₂ | S ₁ | G | W | Bi | N | | | | |
| BUCNPP 201-8 | 1/2 | 13/16 | 47/8 | 35/8 | 17/16 | 3/4 | 7/16 | 17/32 | 223/64 | 1.0236 | 0.3937 | 0.6299 | 3/8 | BUCW 201-8 | NPP 203 | 1.5 |
| BUCNPP 202-10 | 5/8 | 30.2 | 124 | 92 | 37 | 19 | 11 | 13 | 60 | 26.0 | 10.0 | 16.0 | 3/8 | BUC 202-10 | NPP 204 | 1.6 |
| BUCNPP 204-12 | 3/4 | 19/16 | 5 | 33/4 | 1 1/2 | 11/16 | 7/16 | 9/16 | 219/32 | 1.2205 | 0.5000 | 0.7205 | 3/8 | BUC 204-12 | NPP 204 | 1.6 |
| BUCNPP 204 | | 33.3 | 127 | 95 | 38 | 17 | 11 | 14 | 66 | 31.0 | 12.7 | 18.3 | | | | |
| BUCNPP 205-14 | 7/8 | 17/16 | 5 1/2 | 4 1/8 | 1 1/2 | 11/16 | 1/2 | 5/8 | 227/32 | 1.3386 | 0.5630 | 0.7756 | 3/8 | BUC 205-14 | NPP 205 | 2.0 |
| BUCNPP 205 | | 36.5 | 140 | 105 | 38 | 17 | 13 | 16 | 72 | 34.0 | 14.3 | 19.7 | 3/8 | BUC 205-16 | NPP 205 | 2.0 |
| BUCNPP 205-16 | 1 | | | | | | | | | | | | | | | |
| BUCNPP 206-18 | 1 1/8 | 1 11/16* | 6 9/16 | 4 3/4 | 1 3/4 | 13/16 | 9/16 | 1 1/16 | 319/64 | 1.5000 | 0.6260 | 0.8740 | 1/2 | BUC 206-18 | NPP 206 | 3.0 |
| BUCNPP 206 | | 42.9 | 160 | 121 | 44 | 21 | 14 | 18 | 84 | 38.1 | 15.9 | 22.2 | 1/2 | BUC 206-19 | NPP 206 | 3.0 |
| BUCNPP 206-19 | 1 3/16 | | | | | | | | | | | | | | | |
| BUCNPP 206-20 | 1 1/4 S | | | | | | | | | | | | | | | |
| BUCNPP 207-20 | 1 1/4 | 1 7/8 | 6 11/32 | 5 | 1 29/32 | 7/8 | 9/16 | 3/4 | 311/16 | 1.6890 | 0.6890 | 1.0000 | 1/2 | BUC 207-20 | NPP 207 | 4.0 |
| BUCNPP 207-22 | 1 3/8 | 47.6 | 166 | 127 | 48 | 22 | 14 | 19 | 94 | 42.9 | 17.5 | 25.4 | 1/2 | BUC 207-22 | NPP 207 | 4.0 |
| BUCNPP 207 | | | | | | | | | | | | | | | | |
| BUCNPP 207-23 | 1 7/16 | | | | | | | | | | | | | | | |
| BUCNPP 208-24 | 1 1/2 | 1 15/16* | 7 1/8 | 5 7/16 | 2 | 7/8 | 9/16 | 13/16 | 4 | 1.9370 | 0.7480 | 1.1890 | 1/2 | BUC 208-24 | NPP 208 | 5.0 |
| BUCNPP 208 | | 49.2 | 181 | 137 | 51 | 22 | 14 | 21 | 102 | 49.2 | 19.0 | 30.2 | 1/2 | BUC 208-24 | NPP 208 | 5.0 |
| BUCNPP 209-26 | 1 5/8 | 2 1/8 | 7 1/2 | 5 3/4 | 2 1/8 | 13/16 | 19/32 | 7/8 | 417/64 | 1.9370 | 0.7480 | 1.1890 | 1/2 | BUC 209-26 | NPP 209 | 5.7 |
| BUCNPP 209-27 | 1 11/16 | 54.0 | 190 | 146 | 54 | 21 | 15 | 22 | 109 | 49.2 | 19.0 | 30.2 | 1/2 | BUC 209-27 | NPP 209 | 5.7 |
| BUCNPP 209-28 | 1 3/4 | | | | | | | | | | | | | | | |
| BUCNPP 209 | | | | | | | | | | | | | | | | |
| BUCNPP 210-30 | 1 7/8 | 2 1/4 | 8 | 6 1/4 | 2 1/4 | 15/16 | 23/32 | 15/16 | 433/64 | 2.0315 | 0.7480 | 1.2835 | 5/8 | BUC 210-30 | NPP 210 | 6.8 |
| BUCNPP 210-31 | 1 15/16 | 57.2 | 203 | 159 | 57 | 24 | 18 | 24 | 115 | 51.6 | 19.0 | 32.6 | 5/8 | BUC 210-31 | NPP 210 | 6.8 |
| BUCNPP 210 | | | | | | | | | | | | | | | | |
| BUCNPP 210-32 | 2 S | | | | | | | | | | | | | | | |
| BUCNPP 211-32 | 2 | 2 1/2 | 8 5/8 | 6 7/8 | 2 3/8 | 15/16 | 23/32 | 1 1/16 | 5 1/32 | 2.1890 | 0.8740 | 1.3150 | 5/8 | BUC 211-32 | NPP 211 | 8.8 |
| BUCNPP 211 | | 63.5 | 220 | 174 | 60 | 24 | 18 | 27 | 128 | 55.6 | 22.2 | 33.4 | 5/8 | BUC 211-32 | NPP 211 | 8.8 |
| BUCNPP 211-35 | 2 3/16 | | | | | | | | | | | | | | | |
| BUCNPP 212-36 | 2 1/4 | 2 3/4 | 9 17/32 | 7 11/32 | 2 1/2 | 1 | 25/32 | 1 1/16 | 533/64 | 2.5630 | 1.0000 | 1.5630 | 5/8 | BUC 212-36 | NPP 212 | 11.2 |
| BUCNPP 212 | | 69.8 | 242 | 187 | 64 | 25.4 | 20 | 27 | 140 | 65.1 | 25.4 | 39.7 | 5/8 | BUC 212-36 | NPP 212 | 11.2 |
| BUCNPP 212-39 | 2 7/16 | | | | | | | | | | | | | | | |
| BUCNPP 213-40 | 2 1/2 | 3 | 10 3/4 | 8 1/8 | 2 11/16 | 13/16 | 13/16 | 1 1/8 | 6 1/32 | 2.5630 | 1.0000 | 1.5630 | 7/8 | BUC 213-40 | NPP 213 | 14.1 |
| BUCNPP 213-40 | | 76.2 | 273 | 206 | 68 | 30 | 20 | 28 | 153 | 65.1 | 25.4 | 39.7 | 7/8 | BUC 213-40 | NPP 213 | 14.1 |
| BUCNPP 215-47 | 2 15/16 | 3 1/4 | 10 13/16 | 8 1/2 | 2 15/16 | 1 1/4 | 1 | 1 1/8 | 6 33/64 | 3.0630 | 1.3110 | 1.7520 | 7/8 | BUC 215-47 | NPP 215 | 17.0 |
| BUCNPP 215-48 | 3 | 82.6 | 275 | 217 | 75 | 31 | 25.4 | 29 | 166 | 77.8 | 33.3 | 44.5 | 7/8 | BUC 215-48 | NPP 215 | 17.0 |

*1 Also available 1 5/8"
*2 Also available 2 1/8"

CORROSION RESISTANT