

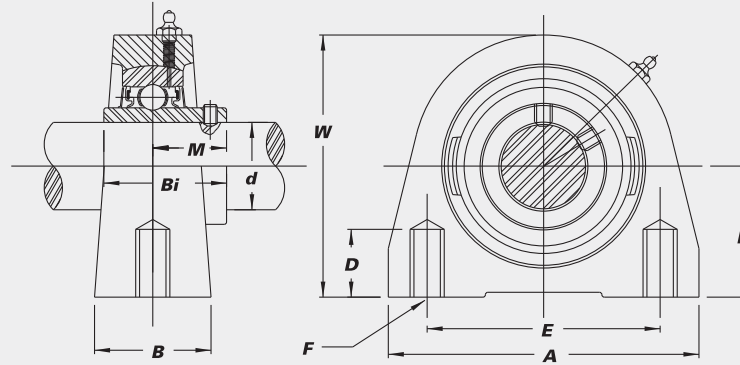
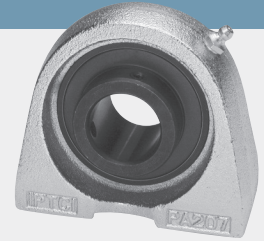
Nickel Plated Tapped Base Pillow Blocks



With Black Oxide Bearing Inserts-BUCNPPA

• B-type Seals

• Overview of corrosion resistant products – pg. 48



CORROSION RESISTANT

Unit No.	Shaft Dia.		Dimensions (in.) (mm)								Bearing No.	Housing No.	Weight (lbs.)	
	d (in.)	d (mm)	H	A	E	B	W	F-Tapped Holes	D-Min Tap Depth	M				Bi
BUCNPPA 201-8	1/2											BUC 201-8		
202-10	5/8		1 ⁵ / ₁₆	2 ⁷ / ₈	2	1 ¹ / ₂	2 ⁹ / ₁₆	3/8"-16	1/2	0.7205	1.2205	202-10		
204-12	3/4		33.3	73	50.8	38	65	UNC	13	18.3	31.0	204-12	NPPA 204	1.4
204		20										204		
BUCNPPA 205-14	7/8											BUC 205-14		
205		25	17 ¹ / ₁₆	3	2	1 ¹ / ₂	2 ¹³ / ₁₆	3/8"-16	1/2	0.7756	1.3386	205	NPPA 205	1.6
205-16	1		36.5	76	50.8	38	71	UNC	13	19.7	34.0	205-16		
BUCNPPA 206-18	1 ¹ / ₈											BUC 206-18		
206		30	1 ¹¹ / ₁₆	4	3	1 ¹ / ₂	3 ³ / ₈	7/16"-14	5/8	0.8740	1.5000	206	NPPA 206	2.6
206-19	1 ³ / ₁₆		42.9	102	76.2	38	86	UNC	16	22.2	38.1	206-19		
206-20	1 ¹ / ₄ S											206-20		
BUCNPPA 207-20	1 ¹ / ₄											BUC 207-20		
207-22	1 ³ / ₈		17 ⁷ / ₈	4 ¹ / ₄	3 ³ / ₄	1 ⁷ / ₈	3 ³ / ₄	1/2"-13	3/4	1.0000	1.6890	207-22	NPPA 207	3.6
207		35	47.6	108	82.6	48	95	UNC	19	25.4	42.9	207		
207-23	1 ⁷ / ₁₆											207-23		
BUCNPPA 208-24	1 ¹ / ₂											BUC 208-24		
208		40	1 ¹⁵ / ₁₆	4 ⁵ / ₈	3 ¹ / ₂	1 ⁷ / ₈	3 ¹⁵ / ₁₆	1/2"-13	3/4	1.1890	1.9370	208	NPPA 208	4.0
BUCNPPA 209-26	1 ⁵ / ₈											BUC 209-26		
209-27	1 ¹¹ / ₁₆		2 ¹ / ₈	5	3 ³ / ₄	2	4 ¹ / ₄	1/2"-13	3/4	1.1890	1.9370	209-27	NPPA 209	5.0
209-28	1 ³ / ₄		54.0	127	95.3	51	108	UNC	19	30.2	49.2	209-28		
209		45										209		
BUCNPPA 210-30	1 ⁷ / ₈											BUC 210-30		
210-31	1 ¹⁵ / ₁₆		2 ¹ / ₄	5 ¹ / ₂	4	2	4 ⁵ / ₈	5/8"-11	7/8	1.2835	2.0315	210-31	NPPA 210	5.9
210		50	57.2	140	101.6	51	117	UNC	22	32.6	51.6	210		
210-32	2S											210-32		