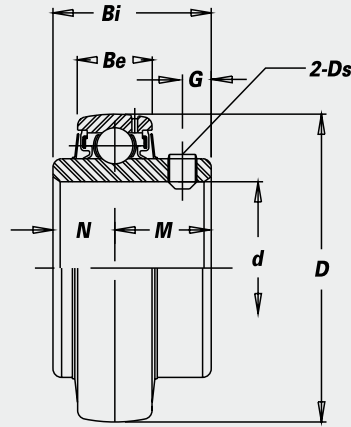
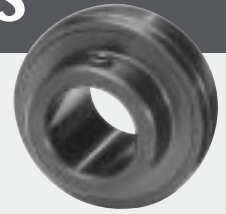


BUC Black Oxide Bearing Inserts



B-type Seal

- Standard duty with set screw lock
- Wide inner race
- B-type Seals



Bearing No.	Bore Dia. of Bearing		Dimensions (in.) (mm)						Basic Load Rating (lbs.)	Basic Static Load Rating (lbs.)	Weight (lbs.)	
	d (in.)	d (mm)	D	Bi	Be	N	M	G				Ds (in.)
BUCW 201-8	1/2		1.5748	1.0236	0.5906	0.3937	0.6299	0.1575	10-32UNF	2,040	1,020	0.26
202-10	5/8		40.0	26.0	15.0	10.0	16.0	4.0				
BUC 201-8	1/2	20	1.8504	1.2205	0.6299	0.5000	0.7205	0.1969	1/4-28UNF	2,740	1,600	0.46
202-10	5/8		47.0	31.0	16.0	12.7	18.3	5.0				0.42
204-12	3/4		52.0	34.0	17.0	14.3	19.7	5.5				0.35
BUC 205-14	7/8	25	2.0472	1.3386	0.6693	0.5630	0.7756	0.2165	1/4-28UNF	3,010	1,750	0.51
205	1		52.0	34.0	17.0	14.3	19.7	5.5				0.44
BUC 206-18	1 1/8	30	2.4409	1.5000	0.7480	0.6260	0.8740	0.2362	1/4-28UNF	4,200	2,430	0.75
206	1 3/16		62.0	38.1	19.0	15.9	22.2	6.0				0.71
206-19	1 1/4		62.0	38.1	19.0	15.9	22.2	6.0				0.71
BUC 207-20	1 1/4	35	2.8346	1.6890	0.7874	0.6890	1.0000	0.2559	5/16-24UNF	5,535	3,340	1.19
207-22	1 3/8		72.0	42.9	20.0	17.5	25.4	6.5				1.06
207	1 7/16		72.0	42.9	20.0	17.5	25.4	6.5				1.06
207-23	1 7/8		72.0	42.9	20.0	17.5	25.4	6.5				0.99
BUC 208-24	1 1/2	40	3.1496	1.9370	0.8268	0.7480	1.1890	0.3150	5/16-24UNF	6,375	3,960	1.50
208	1 1/2		80.0	49.2	21.0	19.0	30.2	8.0				1.41
BUC 209-26	1 5/8	45	3.3465	1.9370	0.8661	0.7480	1.1890	0.3150	5/16-24UNF	7,110	4,460	1.72
209-27	1 11/16		85.0	49.2	22.0	19.0	30.2	8.0				1.63
209-28	1 3/4		85.0	49.2	22.0	19.0	30.2	8.0				1.54
209	1 3/4		85.0	49.2	22.0	19.0	30.2	8.0				1.50
BUC 210-30	1 7/8	50	3.5433	2.0315	0.9449	0.7480	1.2835	0.3543	3/8-24UNF	7,400	4,910	1.92
210-31	1 5/8		90.0	51.6	24.0	19.0	32.6	9.0				1.81
210	2S		90.0	51.6	24.0	19.0	32.6	9.0				1.76
BUC 211-32	2	55	3.9370	2.1890	0.9843	0.8740	1.3150	0.3543	3/8-24UNF	9,490	6,440	2.78
211	2 1/16		100.0	55.6	25.0	22.2	33.4	9.0				2.45
BUC 212-36	2 1/4	60	4.3307	2.5630	1.0630	1.0000	1.5630	0.4134	3/8-24UNF	11,500	7,940	3.68
212	2 1/4		110.0	65.1	27.0	25.4	39.7	10.5				3.40
212-39	2 3/8		110.0	65.1	27.0	25.4	39.7	10.5				3.20
BUC 213-40	2 1/2		4.7244	2.5630	1.1024	1.0000	1.5630	0.4724	1/2-20UNF	12,400	8,760	4.28
BUC 215-47	2 5/16		5.1181	3.0630	1.2598	1.3110	1.7520	0.4724	1/2-20UNF	14,620	10,540	5.02
215-48	3	130.0	77.8	32.0	33.3	44.5	12.0	4.67				

CORROSION RESISTANT