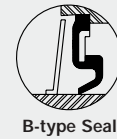


Nickel Plated Piloted Flanges

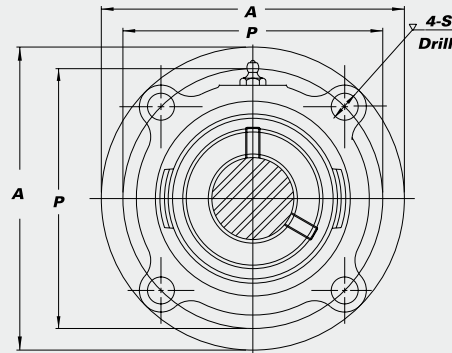
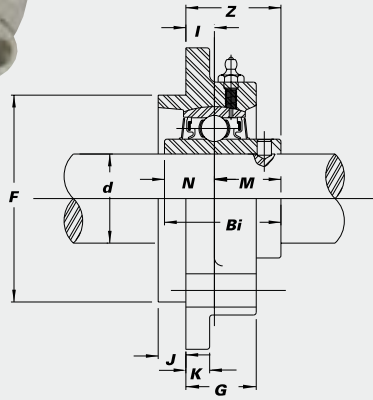


B-type Seal

With optional bearing inserts:
Stainless Steel-SUCNPFCS
Hard Chrome Coated-CUCNPFCS

• B-type Seals

• Overview of corrosion resistant products – pg. 52



CORROSION RESISTANT

Unit No.	Shaft Dia.		Dimensions (in.) (mm)											Bolt Used (in.)	Bearing No.	Housing No.	Weight (lbs.)			
	d	d	A	P	S	J	K	G	F	I	Z	Bi	N					M		
SUCNPFCS with Stainless Steel Bearing Inserts																				
SUCNPFCS 206-18	1 1/8																	SUC 206-18		
206	30	4 3/8	3 5/8	3/8	1 5/64	3/8	1 5/16	3.000	2 5/64	1 9/32	1.5000	0.6260	0.8740	5/16	206					
206-19	1 3/16	111	92	9.5	6.0	9.5	24.0	76.2	10	32.2	38.1	15.9	22.2	206-19	NPFC X05		2.6			
206-20	1 1/4 S													206-20						
SUCNPFCS 207-20	1 1/4																	SUC 207-20		
207-21	1 5/16	5	4 1/8	1 5/32	3/8	3/8	7/8	3.375	5/16	1 5/16	1.6890	0.6890	1.0000	3/8	207-21					
207-22	1 3/8	35	127	104.8	12.0	9.5	9.5	22.5	85.7	8	33.4	42.9	17.5	25.4	207-22	NPFC X06		3.3		
207														207						
207-23	1 7/16													207-23						
SUCNPFCS 208-24	1 1/2																	SUC 208-24		
208	40	5 1/4	4 3/8	1 5/32	7/16	7/16	1 1/32	3.625	2 3/64	1 17/32	1.9370	0.7480	1.1890	3/8	208					
		133	111	12.0	11.0	11.0	26.0	92.1	9	39.2	49.2	19.0	30.2	208	NPFC X07		4.2			
SUCNPFCS 209-27	1 11/16																	SUC 209-27		
209-28	1 3/4	45	133	111	12.0	11.0	11.0	26.0	92.1	9	39.2	49.2	19.0	30.2	3/8	209-28				
209														209	NPFC X08		4.4			
SUCNPFCS 210-31	1 15/16																	SUC 210-31		
210	50	6 3/32	5 1/8	3 5/64	1 5/32	7/16	1	4.250	5/16	1 19/32	2.0315	0.7480	1.2835	7/16	210					
210-32	2 S	155	130	14.0	12.0	11.0	25.0	108.0	8	40.6	51.6	19.0	32.6	210-32	NPFC X09		5.7			
SUCNPFCS 211-32	2																	SUC 211-32		
211-35	2 3/16	162	136.5	14.0	16.0	11.0	25.0	114.3	7	40.4	55.6	22.2	33.4	7/16	211-32					
														211-35	NPFC X10		7.0			
SUCNPFCS 212-39	2 1/16																	SUC 212-39		
		180	152.4	16.0	22.0	13.0	26.0	127.0	4	43.7	65.1	25.4	39.7	1/2	212-39	NPFC X11		9.5		

CUCNPFCS with Hard Chrome Coated Bearing Inserts

CUCNPFCS 206-18	1 1/8																	CUC 206-18		
206	30	4 3/8	3 5/8	3/8	1 5/64	3/8	1 5/16	3.000	2 5/64	1 9/32	1.5000	0.6260	0.8740	5/16	206					
206-19	1 3/16	111	92	9.5	6.0	9.5	24.0	76.2	10	32.2	38.1	15.9	22.2	206-19	NPFC X05		2.6			
206-20	1 1/4 S													206-20						
CUCNPFCS 207-20	1 1/4																	CUC 207-20		
207-22	1 3/8	5	4 1/8	1 5/32	3/8	3/8	7/8	3.375	5/16	1 5/16	1.6890	0.6890	1.0000	3/8	207-22					
207	35	127	104.8	12.0	9.5	9.5	22.5	85.7	8	33.4	42.9	17.5	25.4	207	NPFC X06		3.3			
207-23	1 7/16													207-23						
CUCNPFCS 208-24	1 1/2																	CUC 208-24		
208	40	5 1/4	4 3/8	1 5/32	7/16	7/16	1 1/32	3.625	2 3/64	1 17/32	1.9370	0.7480	1.1890	3/8	208					
		133	111	12.0	11.0	11.0	26.0	92.1	9	39.2	49.2	19.0	30.2	208	NPFC X07		4.2			

* Also available in FCF(209) style housing where P=5 1/8", F=4.250.
 See pg. 37 for other details.