

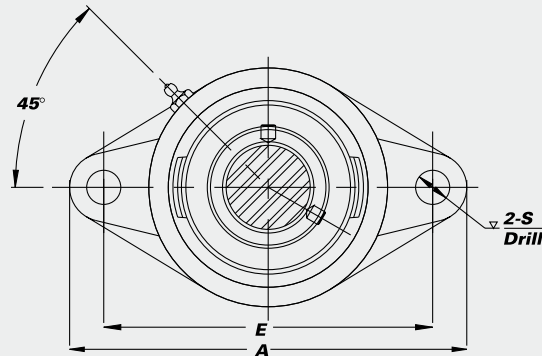
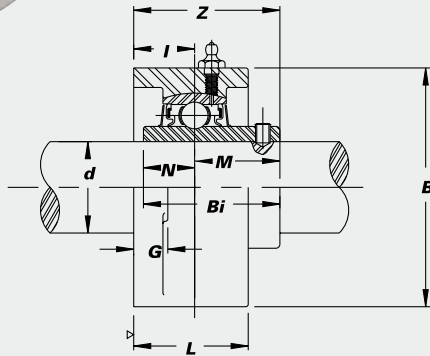
# Nickel Plated 2-Bolt Flanges



With optional bearing inserts:  
**Stainless Steel-SUCNPFL**  
**Hard Chrome Coated-CUCNPFL**

• B-type seals

• Overview of corrosion resistant products – pg. 52



Unit No.	Shaft Dia.		Dimensions (in.) (mm)										Bolt Used (in.)	Bearing No.	Housing No.	Weight (lbs.)
	<i>d</i>	<i>d</i>	<i>A</i>	<i>E</i>	<i>I</i>	<i>G</i>	<i>L</i>	<i>S</i>	<i>B</i>	<i>Z</i>	<i>Bi</i>	<i>N</i>				

## SUCNPFL with Stainless Steel Bearing Inserts

SUCNPFL 201-8 202-10 204-12 204	1/2 5/8 3/4 20	4 7/16 113	3 17/32 89.7	1 9/32 15	7/16 11	1 25	2 5/64 10	2 3/8 60	1 5/16 33.3	1.2205 31.0	0.5000 12.7	0.7205 18.3	5/16	SUC 201-8 202-10 204-12 204	NPFL 204	1.0	
SUCNPFL 205-14 205 205-16	7/8 1	25	5 1/8 130	3 57/64 98.8	5/8 16	1/2 13	1 1/16 27	1 5/32 11.9	2 11/16 68	1 15/32 37.3	1.3386 34.0	0.5630 14.3	0.7756 19.7	3/8	SUC 205-14 205 205-16	NPFL 205	1.5
SUCNPFL 206-18 206 206-19 206-20	1 1/8 1 3/16 1 1/4 S	30	5 13/16 148	4 19/32 116.7	4 5/64 18	1/2 13	1 1/32 31	1 5/32 11.9	3 3/32 80	1 19/32 40.5	1.5000 38.1	0.6260 15.9	0.8740 22.2	3/8	SUC 206-18 206 206-19 206-20	NPFL 206	2.2
SUCNPFL 207-20 207-21 207-22 207 207-23	1 1/4 1 5/16 1 3/8 1 7/16	35	6 11/32 161	5 1/8 130.2	3/4 19	9/16 14	1 11/32 34	3 3/64 13	3 17/32 90	1 3/4 44.5	1.6890 42.9	0.6890 17.5	1.0000 25.4	7/16	SUC 207-20 207-21 207-22 207 207-23	NPFL 207	2.9
SUCNPFL 208-24 208	1 1/2	40	6 7/8 175	5 21/32 143.7	5 3/64 21	9/16 14	1 13/32 36	3 3/64 13	3 15/16 100	2 50.8	1.9370 49.2	0.7480 19.0	1.1890 30.2	7/16	SUC 208-24 208	NPFL 208	3.5
SUCNPFL 209-27 209-28 209	1 11/16 1 3/4	45	7 13/32 188	5 27/32 148.4	5 5/64 22	1 9/32 15	1 1/2 38	1 9/32 15	4 1/4 108	2 1/16 52.4	1.9370 49.2	0.7480 19.0	1.1890 30.2	1/2	SUC 209-27 209-28 209	NPFL 209	4.4
SUCNPFL 210-31 210 210-32	1 5/8 2 S	50	7 3/4 197	6 3/16 157	5 5/64 22	1 9/32 15	1 1/16 40	1 9/32 15	4 17/32 115	2 5/32 54.8	2.0315 51.6	0.7480 19.0	1.2835 32.6	1/2	SUC 210-31 210 210-32	NPFL 210	5.1
SUCNPFL 211-32 211-35	2 2 3/16	55	8 13/16 224	7 1/4 184	6 3/64 25	2 3/32 18	1 11/16 43	4 1/64 16.3	5 1/8 130	2 5/16 58.7	2.1890 55.6	0.8740 22.2	1.3150 33.4	9/16	SUC 211-32 211-35	NPFL 211	7.3
SUCNPFL 212-39	2 7/16	60	9 27/32 250	7 15/16 201.6	1 9/64 29	2 3/32 18	1 7/8 48	4 1/64 16.3	5 1/2 140	2 23/32 69.1	2.5630 65.1	1.0000 25.4	1.5630 39.7	9/16	SUC 212-39	NPFL 212	9.5

## CUCNPFL with Hard Chrome Coated Bearing Inserts

CUCNPFL 204-12 204	3/4 20	4 7/16 113	3 17/32 89.7	1 9/32 15	7/16 11	1 25	2 5/64 10	2 3/8 60	1 5/16 33.3	1.2205 31.0	0.5000 12.7	0.7205 18.3	5/16	CUC 204-12 204	NPFL 204	1.0	
CUCNPFL 205-14 205 205-16	7/8 1	25	5 1/8 130	3 57/64 98.8	5/8 16	1/2 13	1 1/16 27	1 5/32 11.9	2 11/16 68	1 15/32 37.3	1.3386 34.0	0.5630 14.3	0.7756 19.7	3/8	CUC 205-14 205 205-16	NPFL 205	1.5
CUCNPFL 206-18 206 206-19 206-20	1 1/8 1 3/16 1 1/4 S	30	5 13/16 148	4 19/32 116.7	4 5/64 18	1/2 13	1 1/32 31	1 5/32 11.9	3 3/32 80	1 19/32 40.5	1.5000 38.1	0.6260 15.9	0.8740 22.2	3/8	CUC 206-18 206 206-19 206-20	NPFL 206	2.2
CUCNPFL 207-20 207-22 207 207-23	1 1/4 1 3/8 1 7/16	35	6 11/32 161	5 1/8 130.2	3/4 19	9/16 14	1 11/32 34	3 3/64 13	3 17/32 90	1 3/4 44.5	1.6890 42.9	0.6890 17.5	1.0000 25.4	7/16	CUC 207-20 207-22 207 207-23	NPFL 207	2.9
CUCNPFL 208-24 208	1 1/2	40	6 7/8 175	5 21/32 143.7	5 3/64 21	9/16 14	1 13/32 36	3 3/64 13	3 15/16 100	2 50.8	1.9370 49.2	0.7480 19.0	1.1890 30.2	7/16	CUC 208-24 208	NPFL 208	3.5