

Nickel Plated Pillow Blocks



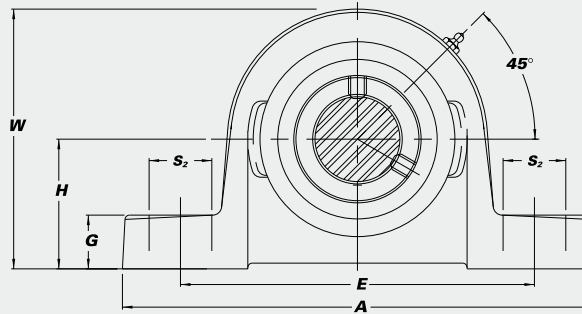
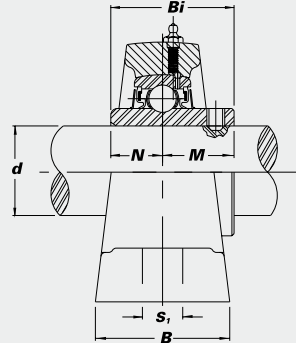
With optional bearing inserts:
Stainless Steel-SUCNPP
Hard Chrome Coated-CUCNPP

- High shaft height
- B-type seals

- Overview of corrosion resistant products – pg. 52



B-type Seal



CORROSION RESISTANT

Unit No.	Shaft Dia.		Dimensions (in.) (mm)										Bolt Used (in.)	Bearing No.	Housing No.	Weight (lbs.)
	d (in.)	d (mm)	H	A	E	B	S ₂	S ₁	G	W	Bi	N				

SUCNPP with Stainless Steel Bearing Inserts

SUCNPP 201-8 202-10 204-12 204	1/2 5/8 3/4 20	33.3 36.5 42.9	5 127 160	3 3/4 95 121	1 1/2 38 44	1 1/16 17 21	7/16 11 14	9/16 14 18	2 19/32 66 84	1.2205 31.0 38.1	0.5000 12.7 15.9	0.7205 18.3 22.2	3/8	SUC 201-8 202-10 204-12 204	NPP 204	1.6
SUCNPP 205-14 205 205-16	7/8 25 1	36.5 91.4	140 355	105 267	38 96	17 43	13 33	5/8 16	2 27/32 72	1.3386 34.0	0.5630 14.3	0.7756 19.7	3/8	SUC 205-14 205 205-16	NPP 205	2.0
SUCNPP 206-18 206 206-19 206-20 206-20	1 1/8 30 1 3/16 1 1/4 S	42.9 108	160 406	121 307	44 111	21 53	14 35	1 1/16 27	3 3/16 81	1.5000 38.1	0.6260 15.9	0.8740 22.2	1/2	SUC 206-18 206 206-19 206-20	NPP 206	3.0
SUCNPP 207-20 207-21 207-22 207 207-23	1 1/4 35 1 5/16 1 3/8 1 7/16	47.6 120	166 421	127 322	48 122	22 56	14 35	3/4 19	3 11/16 94	1.6890 42.9	0.6890 17.5	1.0000 25.4	1/2	SUC 207-20 207-21 207-22 207 207-23	NPP 207	4.0
SUCNPP 208-24 208	1 1/2 40	49.2	181	137	51	22	14	1 3/16 21	4 102	1.9370 49.2	0.7480 19.0	1.1890 30.2	1/2	SUC 208-24 208	NPP 208	5.0
SUCNPP 209-27 209-28 209	1 1/2 45 1 3/4	54.0	190	146	54	21	15	7/8 22	4 17/64 109	1.9370 49.2	0.7480 19.0	1.1890 30.2	1/2	SUC 209-27 209-28 209	NPP 209	5.7
SUCNPP 210-31 210 210-32	1 5/16 50 2 S	57.2	203	159	57	24	18	1 5/16 24	4 33/64 115	2.0315 51.6	0.7480 19.0	1.2835 32.6	5/8	SUC 210-31 210 210-32	NPP 210	6.8
SUCNPP 211-32 211-35	2 2 3/16	63.5	220	174	60	24	18	1 1/16 27	5 1/32 128	2.1890 55.6	0.8740 22.2	1.3150 33.4	5/8	SUC 211-32 211-35	NPP 211	8.8
SUCNPP 212-39	2 7/16	69.8	242	187	64	25.4	20	1 1/16 27	5 33/64 140	2.5630 65.1	1.0000 25.4	1.5630 39.7	5/8	SUC 212-39	NPP 212	11.2

CUCNPP with Hard Chrome Coated Bearing Inserts

CUCNPP 204-12 204	3/4 20	33.3	127	95	38	17	11	9/16 14	2 19/32 66	1.2205 31.0	0.5000 12.7	0.7205 18.3	3/8	CUC 204-12 204	NPP 204	1.6
CUCNPP 205-14 205 205-16	7/8 25 1	36.5 91.4	140 355	105 267	38 96	17 43	13 33	5/8 16	2 27/32 72	1.3386 34.0	0.5630 14.3	0.7756 19.7	3/8	CUC 205-14 205 205-16	NPP 205	2.0
CUCNPP 206-18 206 206-19 206-20 206-20	1 1/8 30 1 3/16 1 1/4 S	42.9 108	160 406	121 307	44 111	21 53	14 35	1 1/16 27	3 3/16 81	1.5000 38.1	0.6260 15.9	0.8740 22.2	1/2	CUC 206-18 206 206-19 206-20	NPP 206	3.0
CUCNPP 207-20 207-22 207 207-23	1 1/4 35 1 5/16 1 3/8 1 7/16	47.6 120	166 421	127 322	48 122	22 56	14 35	3/4 19	3 11/16 94	1.6890 42.9	0.6890 17.5	1.0000 25.4	1/2	CUC 207-20 207-22 207 207-23	NPP 207	4.0
CUCNPP 208-24 208	1 1/2 40	49.2	181	137	51	22	14	1 3/16 21	4 102	1.9370 49.2	0.7480 19.0	1.1890 30.2	1/2	CUC 208-24 208	NPP 208	5.0

*1 Also available 1 5/16"

*2 Also available 2 1/8"