

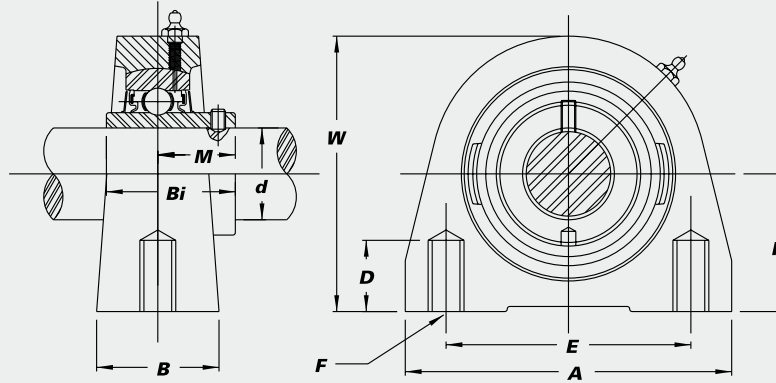
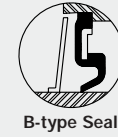
# Nickel Plated Tapped Base Pillow Blocks



With optional bearing inserts:  
**Stainless Steel-SUCNPPA**  
**Hard Chrome Coated-CUCNPPA**

• B-type Seals

• Overview of corrosion resistant products – pg. 52



Unit No.	Shaft Dia.		Dimensions (in.) (mm)								Bearing No.	Housing No.	Weight (lbs.)
	<i>d</i>		<i>H</i>	<i>A</i>	<i>E</i>	<i>B</i>	<i>W</i>	<i>F</i> -Tapped Holes	<i>D</i> -Min Tap Depth	<i>M</i>			

## SUCNPPA with Stainless Steel Bearing Inserts

SUCNPPA 201-8 202-10 204-12 204	1/2 5/8 3/4	20	1 5/16 33.3	2 7/8 73	2 50.8	1 1/2 38	2 9/16 65	3/8"-16 UNC	1/2 13	0.7205 18.3	1.2205 31.0	SUC 201-8 202-10 204-12 204	NPPA 204	1.4
SUCNPPA 205-14 205 205-16	7/8 1	25	1 7/16 36.5	3 76	2 50.8	1 1/2 38	2 13/16 71	3/8"-16 UNC	1/2 13	0.7756 19.7	1.3386 34.0	SUC 205-14 205 205-16	NPPA 205	1.6
SUCNPPA 206-18 206 206-19 206-20	1 1/8 1 3/16 1 1/4 S	30	1 11/16 42.9	4 102	3 76.2	1 1/2 38	3 3/8 86	7/16"-14 UNC	5/8 16	0.8740 22.2	1.5000 38.1	SUC 206-18 206 206-19 206-20	NPPA 206	2.6
SUCNPPA 207-20 207-21 207-22 207 207-23	1 1/4 1 3/16 1 3/8 1 7/16	35	1 7/8 47.6	4 1/4 108	3 1/4 82.6	1 7/8 48	3 3/4 95	1/2"-13 UNC	3/4 19	1.0000 25.4	1.6890 42.9	SUC 207-20 207-21 207-22 207 207-23	NPPA 207	3.6
SUCNPPA 208-24 208	1 1/2	40	1 15/16 49.2	4 5/8 117	3 1/2 88.9	1 7/8 48	3 15/16 100	1/2"-13 UNC	3/4 19	1.1890 30.2	1.9370 49.2	SUC 208-24 208	NPPA 208	4.0
SUCNPPA 209-27 209-28 209	1 11/16 1 3/4	45	2 1/8 54.0	5 127	3 3/4 95.3	2 51	4 1/4 108	1/2"-13 UNC	3/4 19	1.1890 30.2	1.9370 49.2	SUC 209-27 209-28 209	NPPA 209	5.0
SUCNPPA 210-31 210 210-32	1 15/16 2s	50	2 1/4 57.2	5 1/2 140	4 101.6	2 51	4 5/8 117	5/8"-11 UNC	7/8 22	1.2835 32.6	2.0315 51.6	SUC 210-31 210 210-32	NPPA 210	5.9

## CUCNPPA with Hard Chrome Coated Bearing Inserts

CUCNPPA 204-12 204	3/4	20	1 5/16 33.3	2 7/8 73	2 50.8	1 1/2 38	2 9/16 65	3/8"-16 UNC	1/2 13	0.7205 18.3	1.2205 31.0	CUC 204-12 204	NPPA 204	1.4
CUCNPPA 205-14 205 205-16	7/8 1	25	1 7/16 36.5	3 76	2 50.8	1 1/2 38	2 13/16 71	3/8"-16 UNC	1/2 13	0.7756 19.7	1.3386 34.0	CUC 205-14 205 205-16	NPPA 205	1.6
CUCNPPA 206-18 206 206-19 206-20	1 1/8 1 3/16 1 1/4 S	30	1 11/16 42.9	4 102	3 76.2	1 1/2 38	3 3/8 86	7/16"-14 UNC	5/8 16	0.8740 22.2	1.5000 38.1	CUC 206-18 206 206-19 206-20	NPPA 206	2.6
CUCNPPA 207-20 207-22 207 207-23	1 1/4 1 3/8 1 7/16	35	1 7/8 47.6	4 1/4 108	3 1/4 82.6	1 7/8 48	3 3/4 95	1/2"-13 UNC	3/4 19	1.0000 25.4	1.6890 42.9	CUC 207-20 207-22 207 207-23	NPPA 207	3.6
CUCNPPA 208-24 208	1 1/2	40	1 15/16 49.2	4 5/8 117	3 1/2 88.9	1 7/8 48	3 15/16 100	1/2"-13 UNC	3/4 19	1.1890 30.2	1.9370 49.2	CUC 208-24 208	NPPA 208	4.0