

# Nickel Plated Take Up Units



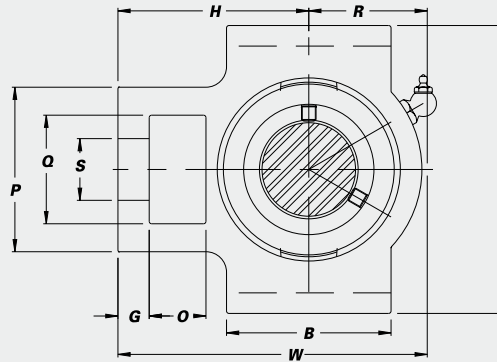
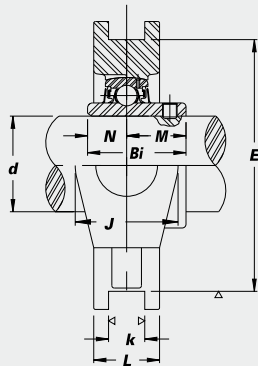
**Wide slot with optional bearing inserts:  
Stainless Steel-SUCNPT  
Hard Chrome Coated-CUCNPT**

• B-type Seals

• Overview of corrosion resistant products – pg. 52



B-type Seal



CORROSION RESISTANT

Unit No.	Shaft Dia.		Dimensions (in. (mm))															Bearing No.	Housing No.	Weight (lbs.)
	<i>d</i>	<i>d</i>	<i>O</i>	<i>G</i>	<i>P</i>	<i>Q</i>	<i>S</i>	<i>B</i>	<i>k</i>	<i>E</i>	<i>A</i>	<i>W</i>	<i>J</i>	<i>L</i>	<i>R</i>	<i>H</i>	<i>Bi</i>			

### SUCNPT with Stainless Steel Bearing Inserts

SUCNPT 201-8	1/2																				SUC 201-8		
202-10	5/8																				SUC 202-10		
204-12	3/4																				SUC 204-12	NPT 204	1.7
204		20																					
SUCNPT 205-14	7/8																				SUC 205-14		
205		25																			SUC 205	NPT 205	1.9
205-16	1																				SUC 205-16		
SUCNPT 206-18	1 1/8																				SUC 206-18		
206		30																			SUC 206	NPT 206	2.9
206-19	1 3/16																				SUC 206-19		
206-20	1 1/4 S																				SUC 206-20		
SUCNPT 207-20	1 1/4																				SUC 207-20		
207-21	1 5/16																				SUC 207-21		
207-22	1 3/8																				SUC 207-22	NPT 207	3.5
207		35																			SUC 207		
207-23	1 7/16																				SUC 207-23		
SUCNPT 208-24	1 1/2																				SUC 208-24	NPT 208	5.5
208		40																			SUC 208		
SUCNPT 209-27	1 11/16																				SUC 209-27		
209-28	1 3/4																				SUC 209-28	NPT 209	5.5
209		45																			SUC 209		
SUCNPT 210-31	1 5/16																				SUC 210-31		
210		50																			SUC 210	NPT 210	5.7
210-32	2 S																				SUC 210-32		
SUCNPT 211-32	2																				SUC 211-32	NPT 211	8.8
211-35	2 3/16																				SUC 211-35		
SUCNPT 212-39	2 7/16																				SUC 212-39	NPT 212	10.6

### CUCNPT with Hard Chrome Coated Bearing Inserts

CUCNPT 204-12	3/4																				CUC 204-12		
204		20																			CUC 204	NPT 204	1.7
SUCNPT 205-14	7/8																				CUC 205-14		
205		25																			CUC 205	NPT 205	1.9
205-16	1																				CUC 205-16		
SUCNPT 206-18	1 1/8																				CUC 206-18		
206		30																			CUC 206	NPT 206	2.9
206-19	1 3/16																				CUC 206-19		
206-20	1 1/4 S																				CUC 206-20		
SUCNPT 207-20	1 1/4																				CUC 207-20		
207-22	1 3/8																				CUC 207-22	NPT 207	3.5
207		35																			CUC 207		
207-23	1 7/16																				CUC 207-23		
SUCNPT 208-24	1 1/2																				CUC 208-24	NPT 208	5.5
208		40																			CUC 208		