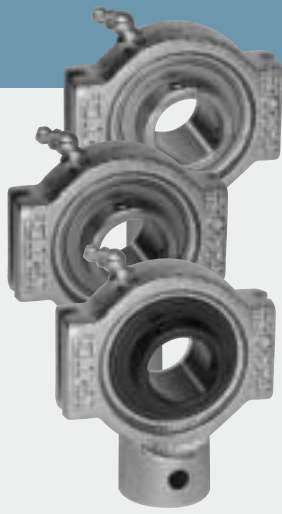
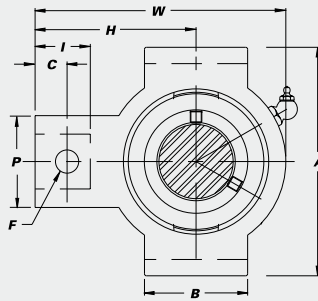
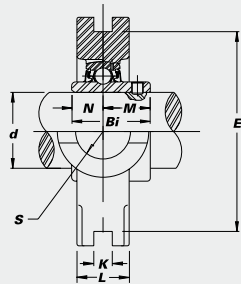


Nickel Plated Take Up Units



Narrow Slot with optional bearing inserts:
Stainless Steel-SUCNPTRS
Hard Chrome Coated-CUCNPTRS
Black Oxide-BUCNPTRS



- B-type Seals
- Overview of corrosion resistant products – pg. 52



B-type Seal

CORROSION RESISTANT

Unit No.	Shaft Dia.		Dimensions (in.) (mm)															Bearing No.	Housing Weight (lbs.)
	d		I	C	P	S	B	k	E	A	W	L	F	H	Bi	N	M		
	(in.)	(mm)																	

SUCNPTRS with Stainless Steel Bearing Inserts

SUCNPTRS 201-8 202-10 204-12 204	1/2 5/8 3/4	20	7/8 22	7/16 11	13/8 35	3/4 19.1	1 1/2 38	1/4 6.4	2 5/8 66.7	3 1/8 79.4	3 1/2 89	3/4 19	5/16 8	2 3/16 56	1.2205 31.0	0.5000 12.7	0.7205 18.3	SUC 201-8 202-10 204-12 204	NPTRS 204	1.7
SUCNPTRS 205-14 205 205-16	7/8 1	25	7/8 22	7/16 11	13/8 35	3/4 19.1	1 1/2 38	1/4 6.4	2 5/8 66.7	3 1/8 79.4	3 3/16 91	7/8 22	5/16 8	2 3/16 56	1.3386 34.0	0.5630 14.3	0.7756 19.7	SUC 205-14 205 205-16	NPTRS 205	1.9
SUCNPTRS 206-18 206 206-19 206-20	1 1/8 1 3/16 1 1/4 S	30	1 5/16 24	1/2 13	1 3/8 35	7/8 22.2	2 1/2 64	5/16 7.9	3 1/2 88.9	4 1/8 105	4 5/16 110	1 5/16 24	5/16 8	2 11/16 68	1.5000 38.1	0.6260 15.9	0.8740 22.2	SUC 206-18 206 206-19 206-20	NPTRS 206	2.9
SUCNPTRS 207-20 207-21 207-22 207 207-23	1 1/4 1 5/16 1 3/8 1 7/16	35	1 5/16 24	1/2 13	1 3/8 35	7/8 22.2	2 1/2 64	5/16 7.9	3 1/2 88.9	4 1/8 105	4 1/2 114	1 25	5/16 8	2 11/16 68	1.6890 42.9	0.6890 17.5	1.0000 25.4	SUC 207-20 207-21 207-22 207 207-23	NPTRS 207	3.5
SUCNPTRS 208-24 208	1 1/2	40	1 5/32 29	2 1/32 17	1 5/8 41	1 1/8 28.6	3 76	5/16 7.9	4 101.6	4 3/4 121	5 3/8 137	1 3/16 30	3/8 9.5	3 1/4 83	1.9370 49.2	0.7480 19.0	1.1890 30.2	SUC 208-24 208	NPTRS 208	5.5

CUCNPTRS with Hard Chrome Coated Bearing Inserts

CUCNPTRS 204-12 204	3/4	20	7/8 22	7/16 11	13/8 35	3/4 19.1	1 1/2 38	1/4 6.4	2 5/8 66.7	3 1/8 79.4	3 1/2 89	3/4 19	5/16 8	2 3/16 56	1.2205 31.0	0.5000 12.7	0.7205 18.3	CUC 204-12 204-8	NPTRS 204	1.7
CUCNPTRS 205-14 205 205-16	7/8 1	25	7/8 22	7/16 11	13/8 35	3/4 19.1	1 1/2 38	1/4 6.4	2 5/8 66.7	3 1/8 79.4	3 3/16 91	7/8 22	5/16 8	2 3/16 56	1.3386 34.0	0.5630 14.3	0.7756 19.7	CUC 205-14 205 205-16	NPTRS 205	1.9
CUCNPTRS 206-18 206 206-19 206-20	1 1/8 1 3/16 1 1/4 S	30	1 5/16 24	1/2 13	1 3/8 35	7/8 22.2	2 1/2 64	5/16 7.9	3 1/2 88.9	4 1/8 105	4 5/16 110	1 5/16 24	5/16 8	2 11/16 68	1.5000 38.1	0.6260 15.9	0.8740 22.2	CUC 206-18 206 206-19 206-20	NPTRS 206	2.9
CUCNPTRS 207-20 207-22 207 207-23	1 1/4 1 3/8 1 7/16	35	1 5/16 24	1/2 13	1 3/8 35	7/8 22.2	2 1/2 64	5/16 7.9	3 1/2 88.9	4 1/8 105	4 1/2 114	1 25	5/16 8	2 11/16 68	1.6890 42.9	0.6890 17.5	1.0000 25.4	CUC 207-20 207-22 207 207-23	NPTRS 207	3.5
CUCNPTRS 208-24 208	1 1/2	40	1 5/32 29	2 1/32 17	1 5/8 41	1 1/8 28.6	3 76	5/16 7.9	4 101.6	4 3/4 121	5 3/8 137	1 3/16 30	3/8 9.5	3 1/4 83	1.9370 49.2	0.7480 19.0	1.1890 30.2	CUC 208-24 208	NPTRS 208	5.5

BUCNPTRS with Black Oxide Bearing Inserts

BUCNPTRS 201-8 202-10 204-12 204	1/2 5/8 3/4	20	7/8 22	7/16 11	13/8 35	3/4 19.1	1 1/2 38	1/4 6.4	2 5/8 66.7	3 1/8 79.4	3 1/2 89	3/4 19	5/16 8	2 3/16 56	1.2205 31.0	0.5000 12.7	0.7205 18.3	BUC 201-8 202-10 204-12 204	NPTRS 204	1.7
BUCNPTRS 205-14 205 205-16	7/8 1	25	7/8 22	7/16 11	13/8 35	3/4 19.1	1 1/2 38	1/4 6.4	2 5/8 66.7	3 1/8 79.4	3 3/16 91	7/8 22	5/16 8	2 3/16 56	1.3386 34.0	0.5630 14.3	0.7756 19.7	BUC 205-14 205 205-16	NPTRS 205	1.9
BUCNPTRS 206-18 206 206-19 206-20	1 1/8 1 3/16 1 1/4 S	30	1 5/16 24	1/2 13	1 3/8 35	7/8 22.2	2 1/2 64	5/16 7.9	3 1/2 88.9	4 1/8 105	4 5/16 110	1 5/16 24	5/16 8	2 11/16 68	1.5000 38.1	0.6260 15.9	0.8740 22.2	BUC 206-18 206 206-19 206-20	NPTRS 206	2.9
BUCNPTRS 207-20 207-22 207 207-23	1 1/4 1 3/8 1 7/16	35	1 5/16 24	1/2 13	1 3/8 35	7/8 22.2	2 1/2 64	5/16 7.9	3 1/2 88.9	4 1/8 105	4 1/2 114	1 25	5/16 8	2 11/16 68	1.6890 42.9	0.6890 17.5	1.0000 25.4	BUC 207-20 207-22 207 207-23	NPTRS 207	3.5
BUCNPTRS 208-24 208	1 1/2	40	1 5/32 29	2 1/32 17	1 5/8 41	1 1/8 28.6	3 76	5/16 7.9	4 101.6	4 3/4 121	5 3/8 137	1 3/16 30	3/8 9.5	3 1/4 83	1.9370 49.2	0.7480 19.0	1.1890 30.2	BUC 208-24 208	NPTRS 208	5.5