

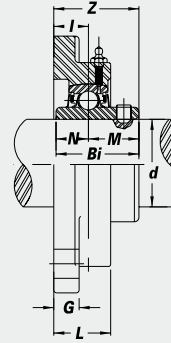
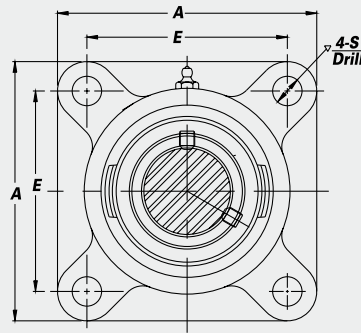
Thermoplastic 4-Bolt Flanges

With optional bearing inserts:
 Stainless Steel-SUCTF
 Hard Chrome Coated-CUCTF
 Black Oxide-BUCTF



B-type Seal

- End Caps Available
- Overview of corrosion resistant products – pg. 52



CORROSION RESISTANT

Unit No.	Shaft Dia.	Dimensions (in. (mm))											Bolt Used (in.)	Bearing No.	Housing No.	Weight (lbs.)
	d	A	E	I	G	L	S	Z	Bi	N	M					

SUCTF with Stainless Steel Bearing Inserts

SUCTF 201-8	1/2	20	3/8	2 1/2	23/32	17/32	1 3/32	7/16	1 7/16	1.2205	0.5000	0.7205	3/8	SUC 201-8	TF 204	.7
202-10	5/8		86	64	18	13	28	11	36.5	31.0	12.7	18.3		202-10		
204-12	3/4		204-12	204												
204	204															
SUCTF 205-14	7/8	25	3 3/4	2 3/4	43/64	9/16	1 3/32	7/16	1 7/16	1.3386	0.5630	0.7756	3/8	SUC 205-14	TF 205	.8
205	7/8		205	205-14												
205-16	1		205-16													
SUCTF 206-18	1 1/8	30	4 1/4	3 1/4	3/4	9/16	1 1/4	7/16	1 5/8	1.5000	0.6260	0.8740	3/8	SUC 206-18	TF 206	1.1
206	1 1/8		206	206-18												
206-19	1 3/16		206-19	206-20												
SUCTF 207-20	1 1/4	35	4 21/32	3 5/8	27/32	5/8	1 3/8	33/64	1 27/32	1.6890	0.6890	1.0000	7/16	SUC 207-20	TF 207	1.7
207-21	1 5/16		207-21	207-22												
207-22	1 3/8		207-22	207												
207	1 3/8		207	207-23												
207-23	1 7/16		207-23													
SUCTF 208-24	1 1/2	40	5 1/8	4	29/32	21/32	1 15/32	35/64	2 3/32	1.9370	0.7480	1.1890	1/2	SUC 208-24	TF 208	2.2
208	1 1/2		208													

CUCTF with Hard Chrome Coated Bearing Inserts

CUCTF 204-12	3/4	20	3/8	2 1/2	23/32	17/32	1 3/32	7/16	1 7/16	1.2205	0.5000	0.7205	3/8	CUC 204-12	TF 204	.7
204	3/4		204													
CUCTF 205-14	7/8		205-14													
205	7/8		205													
CUCTF 206-18	1 1/8	30	4 1/4	3 1/4	3/4	9/16	1 1/4	7/16	1 5/8	1.5000	0.6260	0.8740	3/8	CUC 206-18	TF 206	1.1
206	1 1/8		206	206-18												
206-19	1 3/16		206-19	206-20												
CUCTF 207-20	1 1/4	35	4 21/32	3 5/8	27/32	5/8	1 3/8	33/64	1 27/32	1.6890	0.6890	1.0000	7/16	CUC 207-20	TF 207	1.7
207-21	1 5/16		207-21	207-22												
207-22	1 3/8		207-22	207												
207	1 3/8		207	207-23												
207-23	1 7/16		207-23													
CUCTF 208-24	1 1/2	40	5 1/8	4	29/32	21/32	1 15/32	35/64	2 3/32	1.9370	0.7480	1.1890	1/2	CUC 208-24	TF 208	2.2
208	1 1/2		208													

BUCTF with Black Oxide Bearing Inserts

BUCTF 201-8	1/2	20	3/8	2 1/2	23/32	17/32	1 3/32	7/16	1 7/16	1.2205	0.5000	0.7205	3/8	BUC 201-8	TF 204	.7
202-10	5/8		202-10													
204-12	3/4		204-12													
204	3/4		204													
BUCTF 205-14	7/8	25	3 3/4	2 3/4	43/64	9/16	1 3/32	7/16	1 7/16	1.3386	0.5630	0.7756	3/8	BUC 205-14	TF 205	.8
205	7/8		205	205-14												
205-16	1		205-16													
BUCTF 206-18	1 1/8	30	4 1/4	3 1/4	3/4	9/16	1 1/4	7/16	1 5/8	1.5000	0.6260	0.8740	3/8	BUC 206-18	TF 206	1.1
206	1 1/8		206	206-18												
206-19	1 3/16		206-19	206-20												
BUCTF 207-20	1 1/4	35	4 21/32	3 5/8	27/32	5/8	1 3/8	33/64	1 27/32	1.6890	0.6890	1.0000	7/16	BUC 207-20	TF 207	1.7
207-21	1 5/16		207-21	207-22												
207-22	1 3/8		207-22	207												
207	1 3/8		207	207-23												
207-23	1 7/16		207-23													
BUCTF 208-24	1 1/2	40	5 1/8	4	29/32	21/32	1 15/32	35/64	2 3/32	1.9370	0.7480	1.1890	1/2	BUC 208-24	TF 208	2.2
208	1 1/2		208													