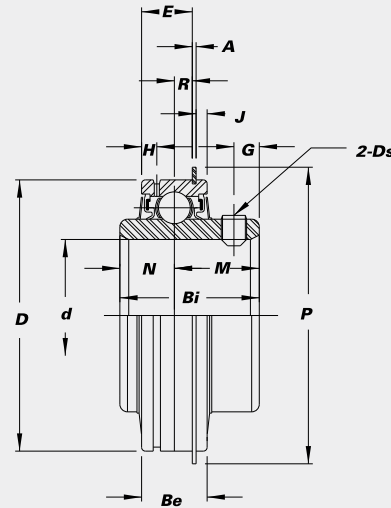


ER Bearing Inserts



Standard duty with snap ring and set screw lock.

- Wide inner race
- Black Oxide Finish
- B-type seals



STANDARD PRODUCTS

Bearing No.	Bore Dia. of Bearing		Dimensions (in.) (mm)													Basic Load Rating (lbs.)	Basic Static Load Rating (lbs.)	Weight (lbs.)	
	d (in.)	d (mm)	D	Bi	Be	N	M	E	A	H	R	J	P	G	Ds (in.)				
ER 201		12																	
201-8	1/2																		
202		15	1.8504	1.2188	0.6250	0.4063	0.8125	0.4844	0.0469	0.1719	0.1719	0.0938	2.0625	0.1875	1/4-28UNF	2,740	1,600	0.49	
202-10	5/8		47.0	31.0	15.9	10.3	20.6	12.30	1.19	4.4	4.37	2.38	52.4	4.8					
203		17																	
204-12	3/4																		
204		20																	
ER 205-14	7/8																		
205-15	15/16		2.0472	1.3750	0.7500	0.5156	0.8594	0.6094	0.0469	0.2031	0.2344	0.0938	2.2656	0.2188	1/4-28UNF	3,010	1,750	0.60	
205		25	52.0	34.9	19.1	13.1	21.8	15.48	1.19	5.2	5.95	2.38	57.5	5.6					
205-16	1																		
ER 206-17	1 1/16																		
206-18	1 1/8		2.4409	1.5000	0.8661	0.6260	0.8740	0.6760	0.6550	0.2165	0.2421	0.1252	2.6575	0.2362	1/4-28UNF	4,200	2,430	0.86	
206		30	62.0	38.1	22.0	15.9	22.2	17.17	1.65	5.5	6.15	3.18	67.5	6.0					
206-19	1 3/16																		
206-20	1 1/4 S																		
ER 207-20	1 1/4																		
207-21	1 3/16		2.8346	1.6890	0.9449	0.6890	1.0000	0.7547	0.0650	0.2165	0.2815	0.1252	3.0906	0.2559	5/16-24UNF	5,535	3,340	1.39	
207-22	1 3/8		72.0	42.9	24.0	17.5	25.4	19.17	1.65	5.5	7.15	3.18	78.4	6.5					
207		35																	
207-23	1 7/16																		
ER 208-24	1 1/2																		
208-25	1 9/16		3.1496	1.9370	1.1024	0.7480	1.1890	0.9122	0.0650	0.2362	0.3602	0.1252	3.4016	0.3150	5/16-24UNF	6,375	3,960	1.79	
208		40	80.0	49.2	28.0	19.0	30.2	23.17	1.65	6.0	9.15	3.18	86.4	8.0					
ER 209-26	1 5/8																		
209-27	1 11/16		3.3465	1.9370	1.1024	0.7480	1.1890	0.9122	0.0650	0.2362	0.3602	0.1252	3.5984	0.3150	5/16-24UNF	7,110	4,460	1.98	
209-28	1 3/4		85.0	49.2	28.0	19.0	30.2	23.17	1.65	6.0	9.15	3.18	91.4	8.0					
209		45																	
ER 210-30	1 7/8																		
210-31	1 5/16		3.5433	2.0315	1.1024	0.7480	1.2835	0.8823	0.0949	0.2953	0.3303	0.1252	3.7913	0.3543	3/8-24UNF	7,400	4,910	2.16	
210		50	90.0	51.6	28.0	19.0	32.6	22.41	2.41	7.5	8.39	3.18	96.3	9.0					
210-32	2 S																		
ER 211-32	2																		
211-34	2 1/8		3.9370	2.1890	1.1811	0.8740	1.3150	0.9610	0.0949	0.2953	0.3697	0.1252	4.1850	0.3543	3/8-24UNF	9,490	6,440	3.11	
211		55	100.0	55.6	30.0	22.2	33.4	24.41	2.41	7.5	9.39	3.18	106.3	9.0					
211-35	2 3/16																		
ER 212-36	2 1/4																		
212		60	4.3307	2.5630	1.2598	1.0000	1.5630	1.0398	0.0949	0.2953	0.4091	0.1252	4.5827	0.4134	3/8-24UNF	11,500	7,940	4.17	
212-38	2 3/8		110.0	65.1	32.0	25.4	39.7	26.41	2.41	7.5	10.39	3.18	116.4	10.5					
212-39	2 7/16																		
ER 215-47	2 15/16																		
215		75	5.1181	3.0625	1.5000	1.3125	1.7500	1.2344	0.1130	0.3750	0.4844	0.1563	5.5000	0.4375	1/2-20UNF	14,620	10,540	6.30	
215-48	3		130.0	77.8	38.1	33.3	44.5	31.35	2.87	9.53	12.30	3.97	139.7	11.1					