

NA & NAW Bearing Inserts



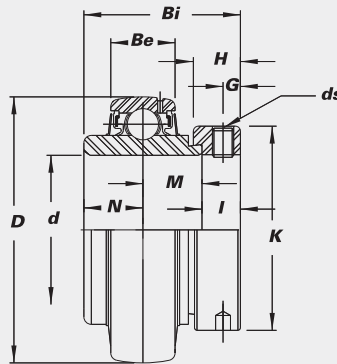
B-type Seal



L3-type Seal

Standard duty with eccentric locking collar.

- Wide inner race
- B-type or L3-type seals



Bearing No.	Bore Dia. of Bearing		Dimensions (in. (mm))										Basic Load Rating (lbs.)	Basic Static Load Rating (lbs.)	Weight (lbs.)		
	d (in.)	d (mm)	D	Bi	Be	N	M	I	K	H	G	ds					
NAW 201		12															0.35
201-8	1/2	12															0.35
202		15	1.5748	1.4685	0.5906	0.5472	0.5472	0.3740	1.1260	0.5315	0.1890		1/4-28UNF	2,040	1,020		0.31
202-10	5/8	15	40.0	37.3	15.0	13.9	13.9	9.5	28.6	13.5	4.8						0.31
203		17															0.29
NA 201		12															0.64
201-8	1/2	12															0.62
202		15	1.8504	1.7126	0.6299	0.6693	0.6693	0.3740	1.3110	0.5315	0.1890		1/4-28UNF	2,740	1,600		0.60
202-10	5/8	15	47.0	43.5	16.0	17.0	17.0	9.5	33.3	13.5	4.8						0.57
203		17															0.55
204-12	3/4	17															0.51
204		20															0.49
NA 205-14	7/8	25															0.64
205-15	15/16	25	2.0472	1.7441	0.6693	0.6850	0.6850	0.3740	1.5000	0.5315	0.1890		1/4-28UNF	3,010	1,750		0.60
205		25	52.0	44.3	17.0	17.4	17.4	9.5	38.1	13.5	4.8						0.55
205-16	1	25															0.55
NA 206-17	1 1/16	30															0.99
206-18	1 1/8	30	2.4409	1.9016	0.7480	0.7165	0.7165	0.4685	1.7520	0.6260	0.2362		5/16-24UNF	4,200	2,430		0.95
206		30	62.0	48.3	19.0	18.2	18.2	11.9	44.5	15.9	6.0						0.90
206-19	1 3/16	30															0.90
206-20	1 1/4S	30															0.84
NA 207-20	1 1/4	35															1.50
207-21	1 5/16	35	2.8346	2.0118	0.7874	0.7402	0.7402	0.5315	2.1890	0.6890	0.2677		5/16-24UNF	5,535	3,340		1.43
207-22	1 3/8	35	72.0	51.1	20.0	18.8	18.8	13.5	55.6	17.5	6.8						1.34
207		35															1.34
207-23	1 7/16	35															1.28
NA 208-24	1 1/2	40															1.83
208-25	1 9/16	40	3.1496	2.2165	0.8268	0.8425	0.8425	0.5315	2.3740	0.7205	0.2677		5/16-24UNF	6,375	3,960		1.77
208		40	80.0	56.3	21.0	21.4	21.4	13.5	60.3	18.3	6.8						1.72
NA 209-26	1 5/8	45															2.22
209-27	1 11/16	45	3.3465	2.2165	0.8661	0.8425	0.8425	0.5315	2.5000	0.7205	0.2677		5/16-24UNF	7,110	4,460		2.01
209-28	1 3/4	45	85.0	56.3	22.0	21.4	21.4	13.5	63.5	18.3	6.8						1.92
209		45															1.87
NA 210-30	1 7/8	50															2.38
210-31	1 15/16	50	3.5433	2.4685	0.9449	0.9685	0.9685	0.5315	2.7520	0.7205	0.2677		5/16-24UNF	7,400	4,910		2.29
210		50	90.0	62.7	24.0	24.6	24.6	13.5	69.9	18.3	6.8						2.23
210-32	2S	50															2.17
NA 211-32	2	55															3.48
211-34	2 1/8	55	3.9370	2.8110	0.9843	1.0906	1.0906	0.6299	3.0000	0.8189	0.3150		3/8-24UNF	9,490	6,440		3.30
211		55	100.0	71.4	25.0	27.7	27.7	16.0	76.2	20.8	8.0						3.06
211-35	2 3/16	55															3.00
NA 212-36	2 1/4	60															4.48
212		60	4.3307	3.0630	1.0630	1.2165	1.2165	0.6299	3.3150	0.8740	0.3150		3/8-24UNF	11,500	7,490		4.12
212-38	2 3/8	60	110.0	77.8	27.0	30.9	30.9	16.0	84.2	22.2	8.0						4.00
212-39	2 1/2	60															3.88
NA 213-40	2 1/2	65															5.53
213		65	4.7244	3.3740	1.1024	1.3425	1.3425	0.6890	3.3858	0.9252	0.3346		3/8-24UNF	12,400	8,760		5.31
		65	120.0	85.7	28.0	34.1	34.1	17.5	86.0	23.5	8.5						5.31
NA 214-44	2 3/4	70															5.80
214		70	4.9213	3.3740	1.1811	1.3425	1.3425	0.6890	3.5433	0.9252	0.3346		3/8-24UNF	13,530	9,620		5.67
		70	125.0	85.7	30.0	34.1	34.1	17.5	90.0	23.5	8.5						5.67
NA 215-47	2 15/16	75															6.26
215		75	5.1181	3.6260	1.2598	1.4685	1.4685	0.6890	4.0157	0.9252	0.3346		3/8-24UNF	14,620	10,540		6.04
215-48	3	75	130.0	92.1	32.0	37.3	37.3	17.5	102.0	23.5	8.5						5.84

STANDARD PRODUCTS