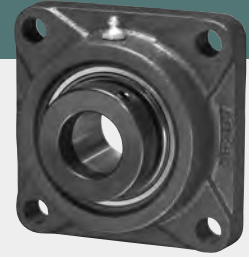


NANF 4-Bolt Flange Units



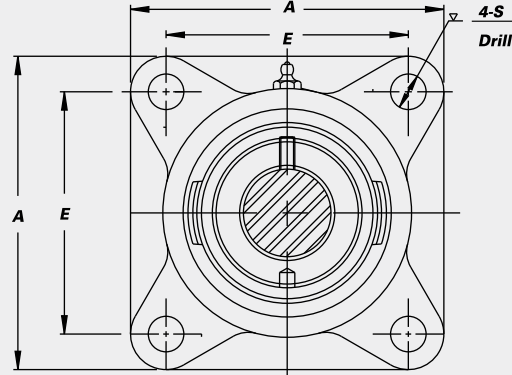
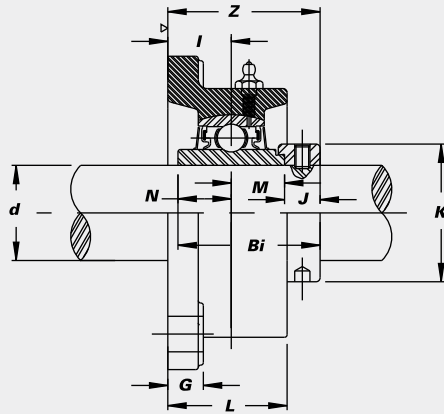
B-type Seal



L3-type Seal

Standard duty with eccentric locking collar.

- Cast iron housing
- Wide inner race bearing
- B-type or L3-type seals



Unit No.	Shaft Dia.		Dimensions (in.) (mm)											Bolt Used (in.)	Bearing No.	Housing No.	Weight (lbs.)				
	d (in.)	d (mm)	A	E	I	G	L	S	Z	Bi	N	M	J					K			
NANF 201		12																NAW201			
201-8	1/2	15	3	2 1/8	2 1/32	3/8	1 3/32	7/16	1 37/64	1.4685	0.5472	0.5472	0.3740	1.1260	3/8			201-8			
202			76	54	16.7	10	28	11	40.1	37.3	13.9	13.9	9.5	28.6				202	F 203		1.3
202-10	5/8	17																202-10			
203																		203			
NANF 204-12	3/4	20	3 3/8	2 1/2	3/4	19/32	1 5/32	7/16	1 25/32	1.7126	0.6693	0.6693	0.3740	1.3110	3/8			NA 204-12		NF 204	1.8
204			86	64	19	15	29.5	11	45.5	43.5	17.0	17.0	9.5	33.3				204			
NANF 205-14	7/8																	NA 205-14			
205-15	1 5/16	25	3 3/4	2 3/4	25/32	19/32	1 7/32	29/64	1 27/32	1.7441	0.6850	0.6850	0.3740	1.5000	3/8			205-15		NF 205	2.1
205			95	70	20	15	31	11.5	46.9	44.3	17.4	17.4	9.5	38.1				205			
205-16	1																	205-16			
NANF 206-17	1 1/16																	NA 206-17			
206-18	1 1/8	30	4 1/4	3 1/4	53/64	5/8	1 31/32	33/64	2	1.9016	0.7165	0.7165	0.4685	1.7520	7/16			206-18		NF 206	2.9
206			108	83	21	16	34	13	51.1	48.3	18.2	18.2	11.9	44.5				206			
206-19	1 3/16																	206-19			
206-20	1 1/4 S																	206-20			
NANF 207-20	1 1/4																	NA 207-20			
207-21	1 3/16	35	4 19/32	3 5/8	27/32	2 1/32	1 7/16	33/64	2 1/8	2.0118	0.7402	0.7402	0.5315	2.1890	7/16			207-21		NF 207	3.9
207-22	1 3/8		117	92	21.5	17	36.5	13	53.8	51.1	18.8	18.8	13.5	55.6				207-22			
207																		207			
207-23	1 7/16																	207-23			
NANF 208-24	1 1/2																	NA 208-24			
208-25	1 9/16	40	5 1/8	4	15/16	2 1/32	1 17/32	35/64	2 5/16	2.2165	0.8425	0.8425	0.5315	2.3740	1/2			208-25		NF 208	4.9
208			130	102	24	17	39	14	58.9	56.3	21.4	21.4	13.5	60.3				208			
NANF 209-26	1 5/8																	NA 209-26			
209-27	1 11/16	45	5 13/32	4 1/8	15/16	23/32	1 9/16	5/8	2 5/16	2.2165	0.8425	0.8425	0.5315	2.5000	9/16			209-27		NF 209	5.7
209-28	1 3/4		137	105	24	18	40	16	58.9	56.3	21.4	21.4	13.5	63.5				209-28			
209																		209			
NANF 210-30	1 7/8																	NA 210-30			
210-31	1 15/16	50	5 5/8	4 3/8	1 1/8	25/32	1 27/32	5/8	2 5/8	2.4685	0.9685	0.9685	0.5315	2.7520	9/16			210-31		NF 210	6.5
210			143	111	28.5	20	46.5	16	66.6	62.7	24.6	24.6	13.5	69.9				210			
210-32	2 S																	210-32			
NANF 211-32	2																	NA 211-32			
211-34	2 1/8	55	6 3/8	5 1/8	1 17/64	13/16	1 31/32	43/64	2 31/32	2.8110	1.0906	1.0906	0.6299	3.0000	5/8			211-34		NF 211	9.0
211			162	130	32	21	50	17	75.7	71.4	27.7	27.7	16.0	76.2				211			
211-35	2 3/16																	211-35			
NANF 212-36	2 1/4																	NA 212-36			
212		60	6 7/8	5 5/8	1 27/64	13/16	2 5/32	43/64	3 1/4	3.0630	1.2165	1.2165	0.6299	3.3150	5/8			212		NF 212	10.8
212-38	2 3/8		175	143	36	21	55	17	82.9	77.8	30.9	30.9	16.0	84.2				212-38			
212-39	2 7/16																	212-39			
NANF 213-40	2 1/2																	NA 213-40			
213		65	7 3/8	5 7/8	1 1/2	7/8	2 5/16	25/32	3 17/32	3.3740	1.3425	1.3425	0.6890	3.3858	3/4			213		NF 213	13.2
			187	149	38	22	59	20	90	85.7	34.1	34.1	17.5	86.0							
NANF 215-47	2 15/16																	NA 215-47			
215		75	7 3/4	6	1 5/8	7/8	2 27/64	25/32	3 25/32	3.6260	1.4685	1.4685	0.6890	4.0157	3/4			215		NF 215	16.0
215-48	3		197	152	42	22	61	20	96	92.0	37.3	37.3	17.5	102.0				215-48			

Interchange Page 47

STANDARD PRODUCTS