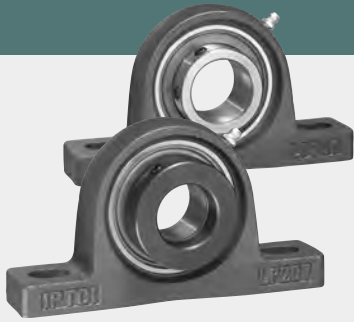


# SBLP & SALP Pillow Blocks

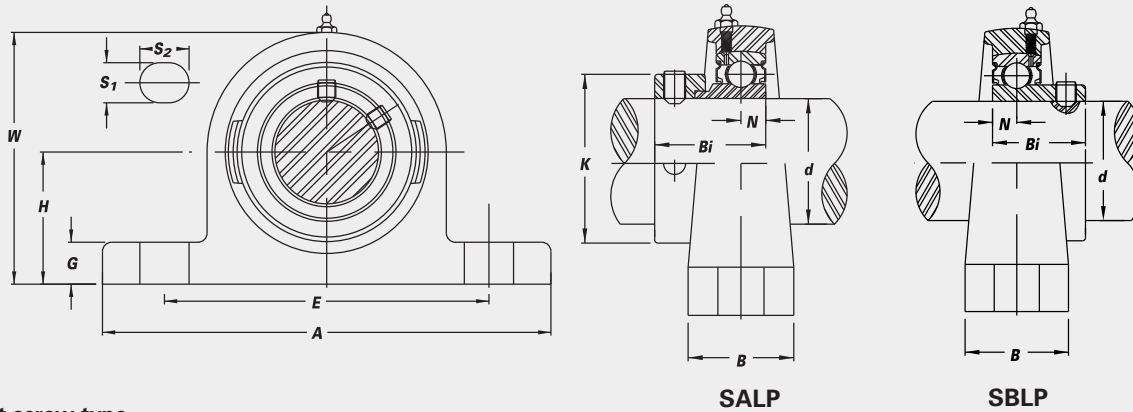


## Light duty.

- K-type seals
- Narrow inner race bearing
- Relubricatable unless otherwise specified



K-type Seal



SALP

SBLP

### SBLP Set screw type

Unit No.	Shaft Dia.		Dimensions (in.) (mm)										Bolt Used (in.)	Bearing No.	Housing No.	Weight (lbs.)
	d (in.)	d (mm)	H	A	E	B	S <sub>2</sub>	S <sub>1</sub>	G	W	Bi	N				
SBLP 201-8 202 202-10	1/2 5/8	15 30.2	13/16 30.2	4 1/2 114	3 7/16 87	1 25	5/8 16	7/16 11	15/32 12	2 1/4 57	0.8661 22.0	0.2362 6.0	3/8	SB 201-8G 202G 202-10G	LP 203	0.8
SBLP 204-12 204	3/4	20	15/16 33.3	4 29/32 125	3 13/16 97	1 1/16 27	5/8 16	7/16 11	1/2 13	2 9/16 65	0.9843 25.0	0.2756 7.0	3/8	SB 204-12G 204G	LP 204	1.0
SBLP 205-14 205-15 205	7/8 15/16	25	17/16 36.5	5 1/8 130	3 15/16 100	1 5/32 29	5/8 16	7/16 11	1/2 13	2 25/32 71	1.0630 27.0	0.2953 7.5	3/8	SB 205-14G 205-15G 205G	LP 205	1.3
SBLP 205-16	1													205-16G		
SBLP 206-18 206	1 1/8	30	1 11/16 42.9	6 5/32 156	4 11/16 119	1 5/16 33	13/16 21	9/16 14	9/16 14	3 3/32 83	1.1811 30.0	0.3150 8.0	1/2	SB 206-18G 206G	LP 206	1.5
SBLP 206-19 206-20	1 3/16 1 1/4S													206-19G 206-20G		
SBLP 207-20 207-22 207	1 1/4 1 3/8	35	1 7/8 47.6	6 1/2 165	5 127	1 3/8 35	13/16 21	9/16 14	5/8 16	3 23/32 94	1.2992 33.0	0.3740 9.5	1/2	SB 207-20G 207-22G 207G	LP 207	2.1
SBLP 207-23	1 7/16													207-23G		

### SALP Eccentric locking collar type

Unit No.	Shaft Dia.		Dimensions (in.) (mm)										Bolt Used (in.)	Bearing No.	Housing No.	Weight (lbs.)	
	d (in.)	d (mm)	H	A	E	B	S <sub>2</sub>	S <sub>1</sub>	G	W	Bi	N					K
SALP 201-8 202 202-10	1/2 5/8	15 30.2	13/16 30.2	4 1/2 114	3 7/16 87	1 25	5/8 16	7/16 11	15/32 12	2 1/4 57	1.1260 28.6	0.2559 6.5	1 1/8 29	3/8	SA 201-8G 202G 202-10G	LP 203	0.9
SALP 204-12 204	3/4	20	15/16 33.3	4 29/32 125	3 13/16 97	1 1/16 27	5/8 16	7/16 11	1/2 13	2 9/16 65	1.2205 31.0	0.2953 7.5	1 1/4 33	3/8	SA 204-12G 204G	LP 204	1.2
SALP 205-14 205-15 205	7/8 15/16	25	17/16 36.5	5 1/8 130	3 15/16 100	1 5/32 29	5/8 16	7/16 11	1/2 13	2 25/32 71	1.2205 31.0	0.2953 7.5	1 1/2 38	3/8	SA 205-14G 205-15G 205G	LP 205	1.4
SALP 205-16	1													205-16G			
SALP 206-18 206	1 1/8	30	1 11/16 42.9	6 5/32 156	4 11/16 119	1 5/16 33	13/16 21	9/16 14	9/16 14	3 3/32 83	1.4055 35.7	0.3543 9.0	1 3/4 45	1/2	SA 206-18G 206-G	LP 206	1.7
SALP 206-19 206-20	1 3/16 1 1/4S													206-19G 206-20G			
SALP 207-20 207-22 207	1 1/4 1 3/8	35	1 7/8 47.6	6 1/2 165	5 127	1 3/8 35	13/16 21	9/16 14	5/8 16	3 23/32 94	1.5315 38.9	0.3740 9.5	2 3/16 56	1/2	SA 207-20G 207-22G 207G	LP 207	2.4
SALP 207-23	1 7/16													207-23G			

Interchange Page 47