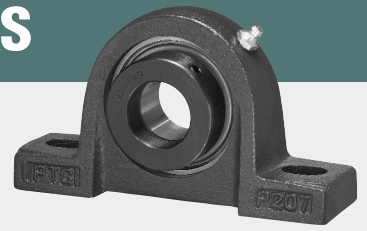


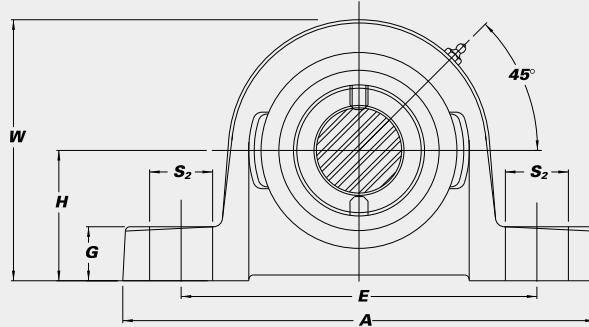
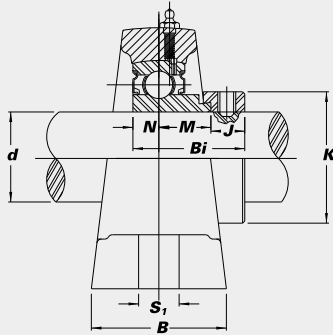
# SAP Pillow Blocks



K-type Seal

## High shaft height with eccentric locking collar.

- Cast iron housing
- Narrow inner race bearing
- K-type seals



Unit No.	Shaft Dia.		Dimensions (in.) (mm)													Bolt Used (in.)	Bearing No.	Housing No.	Weight (lbs.)	
	d (in.)	d (mm)	H	A	E	B	S <sub>2</sub>	S <sub>1</sub>	G	W	Bi	N	M	J	K					
SAP 201		12																SA 201G		
201-8	1/2	15	1 3/16	47/8	3 5/8	1 7/16	3/4	7/16	17/32	2 23/64	1.1260	0.2559	0.4960	0.3740	1.1260	3/8	SA 201G			
202		15	30.2	124	92	37	19	11	13	60	28.6	6.5	12.6	9.5	28.6		202G	P 203	1.6	
202-10	5/8	17															SA 202G			
203		17															202-10G			
																	203G			
SAP 204-12	3/4	20	1 5/16	5	3 3/4	1 1/2	1 1/16	7/16	9/16	2 19/32	1.2205	0.2953	0.5512	0.3740	1.3110	3/8	SA 204-12G			
204		20	33.3	127	95	38	17	11	14	66	31.0	7.5	14.0	9.5	33.3		204G	P 204	1.7	
SAP 205-14	7/8	25	1 7/16	5 1/2	4 1/8	1 1/2	1 1/16	1/2	5/8	2 27/32	1.2205	0.2953	0.5513	0.3740	1.5000	3/8	SA 205-14G			
205-15	15/16	25	36.5	140	105	38	17	13	16	72	31.0	7.5	14.0	9.5	38.1		205-15G	P 205	2.1	
205		25															205G			
205-16	1	25															205-16G			
SAP 206-17	1 1/16	30	1 11/16*	6 9/16	4 3/4	1 3/4	1 3/16	9/16	1 1/16	3 19/64	1.4055	0.3543	0.5827	0.4685	1.7520	1/2	SA 206-17G			
206-18	1 1/8	30	42.9	160	121	44	21	14	18	84	35.7	9.0	14.8	11.9	44.5		206-18G	P 206	3.0	
206		30															206G			
206-19	1 3/16	30															206-19G			
206-20	1 1/4 S	30															206-20G			
SAP 207-20	1/4	35	1 7/8	6 17/32	5	1 29/32	7/8	9/16	3/4	3 11/16	1.5315	0.3740	0.6260	0.5315	2.1890	1/2	SA 207-20G			
207-21	1 5/16	35	47.6	166	127	48	22	14	19	94	38.9	9.5	15.9	13.5	55.6		207-21G	P 207	4.1	
207-22	1 3/8	35															207-22G			
207		35															207G			
207-23	1 7/16	35															207-23G			
SAP 208-24	1 1/2	40	1 15/16**	7 1/8	5 7/16	2	7/8	9/16	1 3/16	4	1.7205	0.4331	0.7559	0.5315	2.3740	1/2	SA 208-24G			
208-25	1 9/16	40	49.2	181	137	51	22	14	21	102	43.7	11.0	19.2	13.5	60.3		208-25G	P 208	5.1	
208		40															208G			
SAP 209-26	1 5/8	45	2 1/8	7 1/2	5 3/4	2 1/8	1 3/16	1 9/32	7/8	4 17/64	1.7205	0.4331	0.7559	0.5315	2.5000	1/2	SA 209-26G			
209-27	1 11/16	45	54.0	190	146	54	21	15	22	109	43.7	11.0	19.2	13.5	63.5		209-27G	P 209	5.9	
209-28	1 3/4	45															209-28G			
209		45															209G			
SAP 210-30	1 7/8	50	2 1/4	8	6 1/4	2 1/4	1 5/16	2 3/32	1 5/16	4 33/64	1.7205	0.4331	0.7559	0.5315	2.7520	5/8	SA 210-30G			
210-31	1 15/16	50	57.2	203	159	57	24	18	24	115	43.7	11.0	19.2	13.5	69.9		210-31G	P 210	6.8	
210		50															210G			
210-32	2 S	50															210-32G			
SAP 211-32	2	55	2 1/2	8 5/8	6 7/8	2 3/8	1 5/16	2 3/32	1 1/16	5 1/32	1.9055	1.4724	0.8031	0.6300	3.0000	5/8	SA 211-32G			
211-34	2 1/8	55	63.5	220	174	60	24	18	27	128	48.4	12.0	20.4	16.0	76.2		211-34G	P 211	9.0	
211		55															211G			
211-35	2 9/16	55															211-35G			

Interchange Page 47

\*Also available 1 5/8"

\*\*Also available 2 1/8"