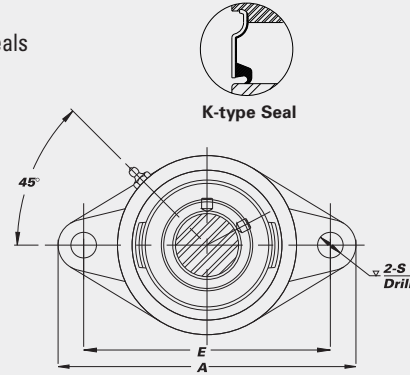
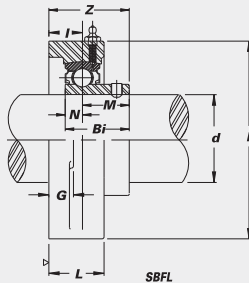
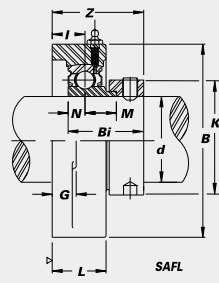


SBFL & SAFL 2-Bolt Flange Units



- Cast iron housing
- Narrow inner race bearing

- K-type seals



STANDARD PRODUCTS

SBFL Set screw type

Unit No.	Shaft Dia.		Dimensions (in.) (mm)										Bolt Used (in.)	Bearing No.	Housing No.	Weight (lbs.)		
	d (in.)	d (mm)	A	E	I	G	L	S	B	Z	Bi	N					M	
SBFL 201		12																
201-8	1/2	12																
202	5/8	15	4 ¹³ / ₃₂	3	4 ³ / ₆₄	7 ¹ / ₁₆	3 ¹ / ₃₂	2 ⁵ / ₆₄	2 ³ / ₈	1 ¹⁹ / ₆₄	0.8661	0.2362	0.6299	5 ⁵ / ₁₆	SB 201G			
202-10	5/8	15	112	76.2	17	11	25	10	60	32.9	22.0	6.0	16.0	5 ⁵ / ₁₆	201-8G	FT 203	.9	
203		17																
SBFL 204-12	3/4	20	4 ⁷ / ₁₆	3 ¹⁷ / ₃₂	1 ⁹ / ₃₂	7 ¹ / ₁₆	1	2 ⁵ / ₆₄	2 ³ / ₈	1 ¹⁹ / ₆₄	0.9843	0.2756	0.7087	5 ⁵ / ₁₆	SB 204-12G	FL 204	1.0	
204	3/4	20	113	89.7	15	11	25	10	60	32.9	25.0	7.0	18.0	5 ⁵ / ₁₆	204G			
SBFL 205-14	7/8																	
205-15	1 ¹ / ₁₆	25	5 ¹ / ₈	3 ⁵ / ₆₄	5 ¹ / ₈	1 ¹ / ₂	1 ¹ / ₁₆	1 ⁵ / ₃₂	2 ¹¹ / ₁₆	1 ² / ₆₄	1.0630	0.2953	0.7677	3 ³ / ₈	SB 205-14G			
205	1 ¹ / ₁₆	25	130	98.8	16	13	27	11.9	68	35.3	27.0	7.5	19.5	3 ³ / ₈	205-15G	FL 205	1.5	
205-16	1																	
SBFL 206-17	1 ¹ / ₁₆																	
206-18	1 ¹ / ₈	30	5 ¹³ / ₁₆	4 ¹⁹ / ₃₂	4 ⁵ / ₆₄	1 ¹ / ₂	1 ⁷ / ₃₂	1 ⁵ / ₃₂	3 ⁵ / ₃₂	1 ⁹ / ₁₆	1.1811	0.3150	0.8661	3 ³ / ₈	SB 206-17G			
206	1 ¹ / ₈	30	148	116.7	18	13	31	11.9	80	39.7	30.0	8.0	22.0	3 ³ / ₈	206-18G	FL 206	2.1	
206-19	1 ³ / ₁₆																	
206-20	1 ¹ / ₄ S																	
SBFL 207-20	1 ¹ / ₄																	
207-21	1 ³ / ₁₆																	
207-22	1 ³ / ₈	35	6 ¹¹ / ₃₂	5 ¹ / ₈	3 ³ / ₄	9 ¹ / ₁₆	1 ¹¹ / ₃₂	3 ³ / ₆₄	3 ¹⁷ / ₃₂	1 ⁴ / ₆₄	1.2992	0.3740	0.9252	7 ¹ / ₁₆	SB 207-20G			
207	1 ³ / ₈	35	161	130.2	19	14	34	13	90	42.5	33.0	9.5	23.5	7 ¹ / ₁₆	207-21G	FL 207	2.8	
207-23	1 ⁷ / ₁₆																	
SBFL 208-24	1 ¹ / ₂																	
208	1 ¹ / ₂	40	6 ⁷ / ₈	5 ²¹ / ₃₂	5 ³ / ₆₄	9 ¹ / ₁₆	1 ¹³ / ₃₂	3 ³ / ₆₄	3 ¹⁵ / ₁₆	1 ¹³ / ₁₆	1.4173	0.4331	0.9843	7 ¹ / ₁₆	SB 208-24G	FL 208	3.4	

SAFL Eccentric locking collar type

Unit No.	Shaft Dia.		Dimensions (in.) (mm)										Bolt Used (in.)	Bearing No.	Housing No.	Weight (lbs.)		
	d (in.)	d (mm)	A	E	I	G	L	S	B	Z	Bi	N					M	K
SAFL 201-8	1/2	12																
202-10	5/8	15	4 ¹³ / ₃₂	3	4 ³ / ₆₄	7 ¹ / ₁₆	3 ¹ / ₃₂	2 ⁵ / ₆₄	2 ³ / ₈	1 ³⁵ / ₆₄	1.1260	0.2559	0.4960	1.1260	5 ⁵ / ₁₆	SA 201-8G	FT 203	1.0
SAFL 204-12	3/4	20	4 ⁷ / ₁₆	3 ¹⁷ / ₃₂	1 ⁹ / ₃₂	7 ¹ / ₁₆	1	2 ⁵ / ₆₄	2 ³ / ₈	1 ¹⁹ / ₆₄	1.2205	0.2953	0.5512	1.3110	5 ⁵ / ₁₆	SA 204-12G	FL 204	1.1
SAFL 205-14	7/8																	
205-15	1 ¹ / ₁₆	25	5 ¹ / ₈	3 ⁵ / ₆₄	5 ¹ / ₈	1 ¹ / ₂	1 ¹ / ₁₆	1 ⁵ / ₃₂	2 ¹¹ / ₁₆	1 ¹¹ / ₆₄	1.2205	0.2953	0.5513	1.5000	3 ³ / ₈	SA 205-14G		
205-16	1	25	130	98.8	16	13	27	11.9	68	29.8	31.0	7.5	14.0	38.1	3 ³ / ₈	205-15G	FL 205	1.5
SAFL 206-17	1 ¹ / ₁₆																	
206-18	1 ¹ / ₈	30	5 ¹³ / ₁₆	4 ¹⁹ / ₃₂	4 ⁵ / ₆₄	1 ¹ / ₂	1 ⁷ / ₃₂	1 ⁵ / ₃₂	3 ⁵ / ₃₂	1 ⁹ / ₃₂	1.4055	0.3543	0.5827	1.7520	3 ³ / ₈	SA 206-17G		
206-19	1 ³ / ₁₆	30	148	116.7	18	13	31	11.9	80	32.5	35.7	9.0	14.8	44.5	3 ³ / ₈	206-18G	FL 206	2.1
206-20	1 ¹ / ₄ S																	
SAFL 207-20	1 ¹ / ₄																	
207-21	1 ³ / ₁₆																	
207-22	1 ³ / ₈	35	6 ¹¹ / ₃₂	5 ¹ / ₈	3 ³ / ₄	9 ¹ / ₁₆	1 ¹¹ / ₃₂	3 ³ / ₆₄	3 ¹⁷ / ₃₂	1 ³ / ₈	1.5315	0.3740	0.6260	2.1890	7 ¹ / ₁₆	SA 207-20G		
207-23	1 ⁷ / ₁₆	35	161	130.2	19	14	34	13	90	34.9	38.9	9.5	15.9	55.6	7 ¹ / ₁₆	207-21G	FL 207	2.9
SAFL 208-24	1 ¹ / ₂																	
208-25	1 ¹ / ₂	40	6 ⁷ / ₈	5 ²¹ / ₃₂	5 ³ / ₆₄	9 ¹ / ₁₆	1 ¹³ / ₃₂	3 ³ / ₆₄	3 ¹⁵ / ₁₆	1 ¹³ / ₁₆	1.7205	0.4331	0.7559	2.3740	7 ¹ / ₁₆	SA 208-24G	FL 208	3.5
SAFL 209-26	1 ³ / ₈																	
209-27	1 ¹¹ / ₁₆	25	7 ¹³ / ₃₂	5 ²⁷ / ₃₂	5 ⁵ / ₆₄	1 ⁹ / ₃₂	1 ¹ / ₂	1 ⁹ / ₃₂	4 ¹ / ₄	2 ⁵ / ₃₂	1.7205	0.4331	0.7559	2.5000	1 ¹ / ₂	SA 209-26G		
209-28	1 ³ / ₄	25	188	148.4	22	15	38	15	108	54.7	43.7	11.0	19.2	63.5	1 ¹ / ₂	209-27G	FL 209	4.7
SAFL 210-30	1 ⁷ / ₈																	
210-31	1 ¹⁵ / ₁₆	30	7 ³ / ₄	6 ¹ / ₈	5 ⁵ / ₆₄	1 ⁹ / ₃₂	1 ⁹ / ₁₆	5 ¹ / ₈	4 ¹⁷ / ₃₂	2 ⁵ / ₃₂	1.7205	0.4331	0.7559	2.7520	1 ¹ / ₂	SA 210-30G		
210-32	2S	30	197	157	22	15	40	16	115	54.7	43.7	11.0	19.2	69.9	1 ¹ / ₂	210-31G	FL 210	5.0
SAFL 211-32	2																	
211-34	2 ¹ / ₈	30	8 ¹³ / ₁₆	7 ¹ / ₄	6 ³ / ₆₄	2 ³ / ₃₂	1 ¹¹ / ₁₆	4 ¹ / ₆₄	5 ¹ / ₈	2 ²⁷ / ₆₄	1.9055	0.4724	0.8031	3.0000	9 ¹ / ₁₆	SA 211-32G		
211-35	2 ³ / ₁₆	30	224	184	25	18	43	16.3	130	61.4	48.4	12.0	20.4	76.2	9 ¹ / ₁₆	211-34G	FL 211	7.0

Interchange Page 47