

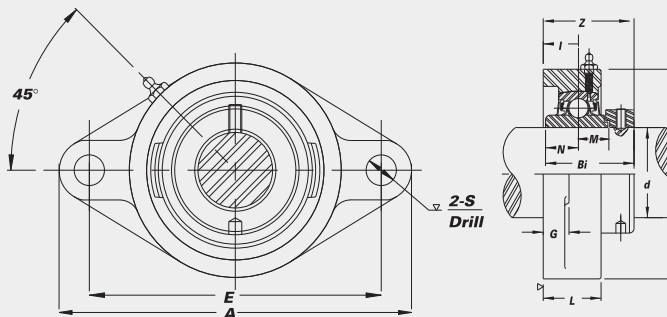
Thermoplastic 2-Bolt Flanges

With Eccentric Locking Collar Stainless Steel bearing insert-SNATFL

- Overview of corrosion resistant products – pg. 48



B-type Seal



CORROSION RESISTANT

| Unit No. | Shaft Dia. | | Dimensions (in.) (mm) | | | | | | | | | | Bolt Used (in.) | Bearing No. | Housing No. | Weight (lbs.) | |
|--|---------------------------|----------------|-----------------------|-------------|-------------|---------------|-------------|----------------|-----------------|----------------|----------------|----------------|-----------------|---------------------------------------|-------------|---------------|----------|
| | <i>d</i> | (in.) (mm) | <i>A</i> | <i>E</i> | <i>I</i> | <i>G</i> | <i>L</i> | <i>S</i> | <i>B</i> | <i>Z</i> | <i>Bi</i> | <i>N</i> | | | | | <i>M</i> |
| SNATFL with Stainless Steel Bearing Inserts | | | | | | | | | | | | | | | | | |
| SNATFL 204-12 204 | 3/4 20 | 47/16 113 | 317/32 89.7 | 39/64 15 | 7/16 11 | 11/32 26 | 7/16 11 | 217/32 64 | 15/8 41.5 | 1.5433 39.2 | 0.5000 12.7 | 0.6693 17.0 | 3/8 | SNA 204-12 204 | TFL 204 | .6 | |
| SNATFL 205-14 205 205-16 | 7/8 1 | 51/8 130 | 357/64 98.8 | 43/64 17 | 17/32 13 | 15/32 29 | 7/16 11 | 23/4 70 | 147/64 43.9 | 1.6220 41.2 | 0.5630 14.3 | 0.6850 17.4 | 3/8 | SNA 205-14 205 205-16 | TFL 205 | .8 | |
| SNATFL 206-18 206 206-19 206-20 | 1 1/8 1 3/16 1 1/4S | 5 13/16 148 | 4 19/32 116.7 | 3/4 19 | 17/32 13 | 1 1/32 31 | 7/16 11 | 3 5/32 80 | 1 15/16 49.1 | 1.8110 46.0 | 0.6260 15.9 | 0.7165 18.2 | 3/8 | SNA 206-18 206 206-19 206-20 | TFL 206 | 1.2 | |
| SNATFL 207-20 207-22 207 207-23 | 1 1/4 1 3/8 1 7/16 | 6 15/32 164 | 5 1/8 130.2 | 23/32 18 | 5/8 16 | 1 9/32 33 | 33/64 13 | 3 17/32 90 | 1 63/64 50.3 | 1.9606 49.8 | 0.6890 17.5 | 0.7402 18.8 | 1/2 | SNA 207-20 207-22 207 207-23 | TFL 207 | 1.7 | |
| SNATFL 208-24 208 | 1 1/2 40 | 6 7/8 175 | 5 21/32 143.7 | 27/32 21 | 25/32 20 | 1 15/32 37 | 35/64 14 | 3 15/16 100 | 2 13/64 55.9 | 2.1220 53.9 | 0.7480 19.0 | 0.8425 21.4 | 1/2 | SNA 208-24 208 | TFL 208 | 2.2 | |