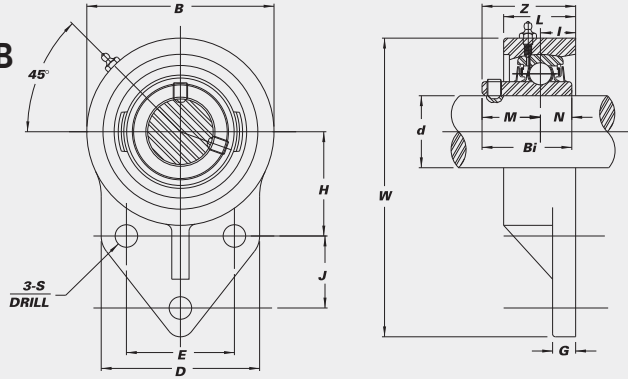


Nickel Plated Flange Brackets

With optional bearing inserts:
Stainless Steel-SUCNPFB
Hard Chrome Coated-CUCNPFB
Black Oxide-BUCNPFB



- B-type Seals
- Overview of corrosion resistant products – pg. 48



CORROSION RESISTANT

Unit No.	Shaft Dia.		Dimensions (in. (mm))													Bolt Used (in.)	Bearing No.	Housing No.	Weight (lbs.)
	d (in.)	d (mm)	W	B	D	L	S	G	H	J	E	I	Z	Bi	N				

SUCNPFB with Stainless Steel Bearing Inserts

SUCNPFB 201-8 202-10 204-12 204	1/2 5/8 3/4	20	4 1/4 108	2 1/2 64	2 3/8 60	1 25	25/64 9.9	5/16 8	1 11/16 43.3	7/8 22.2	1 1/2 38.1	5/8 16	1 5/16 33.3	1.2205 31.0	0.5000 12.7	0.7205 18.3	5/16	SUC 201-8 202-10 204-12 204	NPFB 204	1.5
SUCNPFB 205-14 205 205-16	7/8 1	25	4 3/4 121	2 3/4 70	2 1/2 64	1 1/8 29	25/64 9.9	3/8 9.5	1 13/16 46.0	1 1/8 28.6	1 5/8 41.3	43/64 17	1 13/32 35.7	1.3386 34.0	0.5630 14.3	0.7756 19.7	5/16	SUC 205-14 205 205-16	NPFB 205	1.5
SUCNPFB 206-18 206 206-19 206-20	1 1/8 1 3/16 1 1/4 S	30	5 3/8 137	3 1/4 83	2 3/4 70	1 1/4 32	25/64 9.9	3/8 9.5	2 1/16 52.4	1 1/4 31.8	1 7/8 47.6	3/4 19	1 37/64 40.2	1.5000 38.1	0.6260 15.9	0.8740 22.2	5/16	SUC 206-18 206 206-19 206-20	NPFB 206	2.0
SUCNPFB 207-20 207-21 207-22 207 207-23	1 1/4 1 5/16 1 3/8 1 7/16	35	6 1/8 156	3 3/4 95	3 1/4 83	1 7/16 37	33/64 13.1	1/2 13	2 3/8 60.3	1 1/4 31.8	2 50.8	53/64 21	1 3/4 44.4	1.6890 42.9	0.6890 17.5	1.0000 25.4	7/16	SUC 207-20 207-21 207-22 207 207-23	NPFB 207	2.9
SUCNPFB 208-24 208	1 1/2	40	6 15/32 164	3 15/16 100	3 1/16 78	1 11/32 34	7/16 11.1	5/8 16	2 23/64 60	1 39/64 41	1 31/32 50.0	53/64 21	2 1/64 51.2	1.9370 49.2	0.7480 19.0	1.1890 30.2	3/8	SUC 208-24 208	NPFB 208	4.0

CUCNPFB with Hard Chrome Coated Bearing Inserts

CUCNPFB 204-12 204	3/4	20	4 1/4 108	2 1/2 64	2 3/8 60	1 25	25/64 9.9	5/16 8	1 11/16 43.3	7/8 22.2	1 1/2 38.1	5/8 16	1 5/16 33.3	1.2205 31.0	0.5000 12.7	0.7205 18.3	5/16	CUC 204-12 204	NPFB 204	1.5
CUCNPFB 205-14 205 205-16	7/8 1	25	4 3/4 121	2 3/4 70	2 1/2 64	1 1/8 29	25/64 9.9	3/8 9.5	1 13/16 46.0	1 1/8 28.6	1 5/8 41.3	43/64 17	1 13/32 35.7	1.3386 34.0	0.5630 14.3	0.7756 19.7	5/16	CUC 205-14 205 205-16	NPFB 205	1.5
CUCNPFB 206-18 206 206-19 206-20	1 1/8 1 3/16 1 1/4 S	30	5 3/8 137	3 1/4 83	2 3/4 70	1 1/4 32	25/64 9.9	3/8 9.5	2 1/16 52.4	1 1/4 31.8	1 7/8 47.6	3/4 19	1 37/64 40.2	1.5000 38.1	0.6260 15.9	0.8740 22.2	5/16	CUC 206-18 206 206-19 206-20	NPFB 206	2.0
CUCNPFB 207-20 207-22 207 207-23	1 1/4 1 5/16 1 3/8 1 7/16	35	6 1/8 156	3 3/4 95	3 1/4 83	1 7/16 37	33/64 13.1	1/2 13	2 3/8 60.3	1 1/4 31.8	2 50.8	53/64 21	1 3/4 44.4	1.6890 42.9	0.6890 17.5	1.0000 25.4	7/16	CUC 207-20 207-22 207 207-23	NPFB 207	2.9
CUCNPFB 208-24 208	1 1/2	40	6 15/32 164	3 15/16 100	3 1/16 78	1 11/32 34	7/16 11.1	5/8 16	2 23/64 60	1 39/64 41	1 31/32 50.0	53/64 21	2 1/64 51.2	1.9370 49.2	0.7480 19.0	1.1890 30.2	3/8	CUC 208-24 208	NPFB 208	4.0

BUCNPFB with Black Oxide Bearing Inserts

BUCNPFB 201-8 202-10 204-12 204	1/2 5/8 3/4	20	4 1/4 108	2 1/2 64	2 3/8 60	1 25	25/64 9.9	5/16 8	1 11/16 43.3	7/8 22.2	1 1/2 38.1	5/8 16	1 5/16 33.3	1.2205 31.0	0.5000 12.7	0.7205 18.3	5/16	BUC 201-8 202-10 204-12 204	NPFB 204	1.5
BUCNPFB 205-14 205 205-16	7/8 1	25	4 3/4 121	2 3/4 70	2 1/2 64	1 1/8 29	25/64 9.9	3/8 9.5	1 13/16 46.0	1 1/8 28.6	1 5/8 41.3	43/64 17	1 13/32 35.7	1.3386 34.0	0.5630 14.3	0.7756 19.7	5/16	BUC 205-14 205 205-16	NPFB 205	1.5
BUCNPFB 206-18 206 206-19 206-20	1 1/8 1 3/16 1 1/4 S	30	5 3/8 137	3 1/4 83	2 3/4 70	1 1/4 32	25/64 9.9	3/8 9.5	2 1/16 52.4	1 1/4 31.8	1 7/8 47.6	3/4 19	1 37/64 40.2	1.5000 38.1	0.6260 15.9	0.8740 22.2	5/16	BUC 206-18 206 206-19 206-20	NPFB 206	2.0
BUCNPFB 207-20 207-22 207 207-23	1 1/4 1 5/16 1 3/8 1 7/16	35	6 1/8 156	3 3/4 95	3 1/4 83	1 7/16 37	33/64 13.1	1/2 13	2 3/8 60.3	1 1/4 31.8	2 50.8	53/64 21	1 3/4 44.4	1.6890 42.9	0.6890 17.5	1.0000 25.4	7/16	BUC 207-20 207-22 207 207-23	NPFB 207	2.9
BUCNPFB 208-24 208	1 1/2	40	6 15/32 164	3 15/16 100	3 1/16 78	1 11/32 34	7/16 11.1	5/8 16	2 23/64 60	1 39/64 41	1 31/32 50.0	53/64 21	2 1/64 51.2	1.9370 49.2	0.7480 19.0	1.1890 30.2	3/8	BUC 208-24 208	NPFB 208	4.0