

Nickel Plated Tapped Base Pillow Blocks



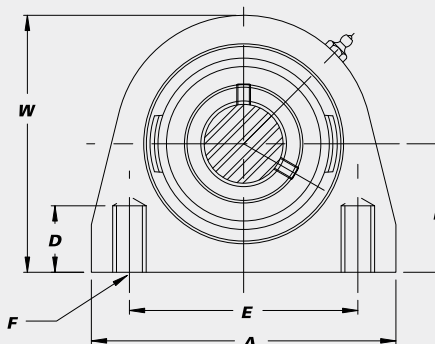
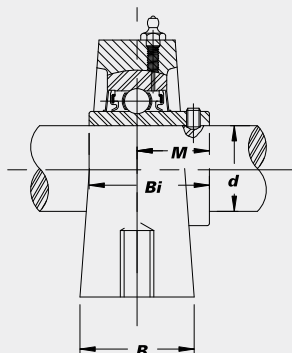
With optional bearing inserts:
Stainless Steel-SUCNPPA
Hard Chrome Coated-CUCNPPA

- B-type Seals
- Available with locking collar bearings. Please ask.

- Overview of corrosion resistant products – pg. 48



B-type Seal



CORROSION RESISTANT

Unit No.	Shaft Dia.		Dimensions (in.) (mm)								Bearing No.	Housing No.	Weight (lbs.)
	d (in.)	d (mm)	H	A	E	B	W	F-Tapped Holes	D-Min Tap Depth	M			

SUCNPPA with Stainless Steel Bearing Inserts

SUCNPPA 201-8	1/2											SUC 201-8		
202-10	3/8		1 5/16	2 7/8	2	1 1/2	2 9/16	3/8"-16	1/2	0.7205	1.2205	202-10	NPPA 204	1.4
204-12	3/4		33.3	73	50.8	38	65	UNC	13	18.3	31.0	204-12		
204		20										204		
SUCNPPA 205-14	7/8											SUC 205-14		
205		25	17/16	3	2	1 1/2	2 13/16	3/8"-16	1/2	0.7756	1.3386	205	NPPA 205	1.6
205-16	1		36.5	76	50.8	38	71	UNC	13	19.7	34.0	205-16		
SUCNPPA 206-18	1 1/8											SUC 206-18		
206		30	1 11/16	4	3	1 1/2	3 3/8	7/16"-14	5/8	0.8740	1.5000	206	NPPA 206	2.6
206-19	1 3/16		42.9	102	76.2	38	86	UNC	16	22.2	38.1	206-19		
206-20	1 1/4 S											206-20		
SUCNPPA 207-20	1 1/4											SUC 207-20		
207-21	1 5/16											207-21		
207-22	1 3/8		17/8	4 1/4	3 1/4	1 7/8	3 3/4	1/2"-13	3/4	1.0000	1.6890	207-22	NPPA 207	3.6
207		35	47.6	108	82.6	48	95	UNC	19	25.4	42.9	207		
207-23	1 7/16											207-23		
SUCNPPA 208-24	1 1/2											SUC 208-24		
208		40	1 5/16	4 5/8	3 1/2	1 7/8	3 15/16	1/2"-13	3/4	1.1890	1.9370	208	NPPA 208	4.0
SUCNPPA 209-27	1 11/16											SUC 209-27		
209-28	1 3/4		2 1/8	5	3 3/4	2	4 1/4	1/2"-13	3/4	1.1890	1.9370	209-28	NPPA 209	5.0
209		45	54.0	127	95.3	51	108	UNC	19	30.2	49.2	209		
SUCNPPA 210-31	1 5/16											SUC 210-31		
210		50	2 1/4	5 1/2	4	2	4 5/8	5/8"-11	7/8	1.2835	2.0315	210	NPPA 210	5.9
210-32	2 S		57.2	140	101.6	51	117	UNC	22	32.6	51.6	210-32		

CUCNPPA with Hard Chrome Coated Bearing Inserts

CUCNPPA 204-12	3/4											CUC 204-12		
204		20	1 5/16	2 7/8	2	1 1/2	2 9/16	3/8"-16	1/2	0.7205	1.2205	204	NPPA 204	1.4
CUCNPPA 205-14	7/8											CUC 205-14		
205		25	17/16	3	2	1 1/2	2 13/16	3/8"-16	1/2	0.7756	1.3386	205	NPPA 205	1.6
205-16	1		36.5	76	50.8	38	71	UNC	13	19.7	34.0	205-16		
CUCNPPA 206-18	1 1/8											CUC 206-18		
206		30	1 11/16	4	3	1 1/2	3 3/8	7/16"-14	5/8	0.8740	1.5000	206	NPPA 206	2.6
206-19	1 3/16		42.9	102	76.2	38	86	UNC	16	22.2	38.1	206-19		
206-20	1 1/4 S											206-20		
CUCNPPA 207-20	1 1/4											CUC 207-20		
207-22	1 3/8		17/8	4 1/4	3 1/4	1 7/8	3 3/4	1/2"-13	3/4	1.0000	1.6890	207-22	NPPA 207	3.6
207		35	47.6	108	82.6	48	95	UNC	19	25.4	42.9	207		
207-23	1 7/16											207-23		
CUCNPPA 208-24	1 1/2											CUC 208-24		
208		40	1 5/16	4 5/8	3 1/2	1 7/8	3 15/16	1/2"-13	3/4	1.1890	1.9370	208	NPPA 208	4.0
CUCNPPA 209-27	1 11/16											CUC 209-27		
209-28	1 3/4		2 1/8	5	3 3/4	2	4 1/4	1/2"-13	3/4	1.1890	1.9370	209-28	NPPA 209	5.0
209		45	54.0	127	95.3	51	108	UNC	19	30.2	49.2	209		
CUCNPPA 210-31	1 5/16											CUC 210-31		
210		50	2 1/4	5 1/2	4	2	4 5/8	5/8"-11	7/8	1.2835	2.0315	210	NPPA 210	5.9
210-32	2 S		57.2	140	101.6	51	117	UNC	22	32.6	51.6	210-32		