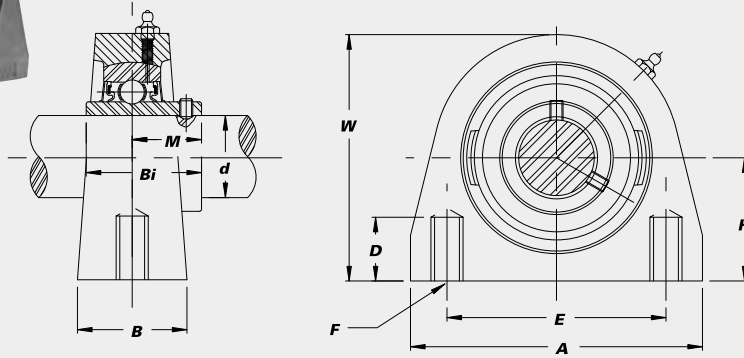
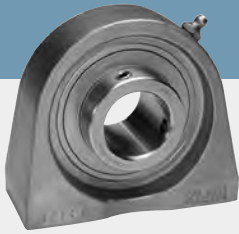


SUCSPA & SUCSHA



SUCSPA Tapped Base Units All Stainless Steel

- Set screw locking
- Also available with locking collar



B-type Seal



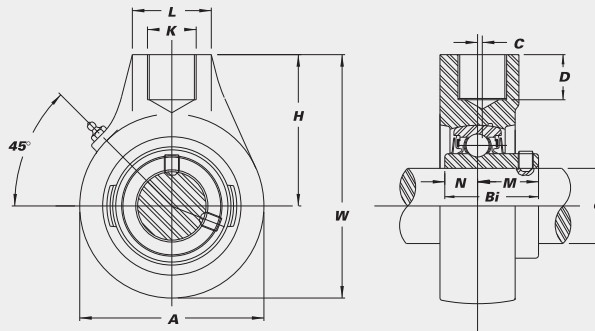
L3-type Seal

B-type seal available in all styles and sizes.

L3-type seal available in SUC units only. Limited sizes. Consult IPTCI for speed limitations.

CORROSION RESISTANT

Unit No.	Shaft Dia.		Dimensions (in.) (mm)									Bearing No.	Housing No.	Weight (lbs.)
	d (in.)	d (mm)	H	A	E	B	W	F-Tapped Holes	D-Min Tap Depth	M	Bi			
SUCSPA 201-8	1/2	12.7	1 1/16	2 7/8	2	1 1/2	2 9/16	3/8"-16	1/2	0.7205	1.2205	SUC 201-8	SPA 204	1.5
SUCSPA 202-10	5/8	15.9	33.3	73	50.8	38	65	UNC	13	18.3	31.0	SUC 202-10		
SUCSPA 204-12	3/4	19.1	1 1/16	2 7/8	2	1 1/2	2 9/16	3/8"-16	1/2	0.7205	1.2205	SUC 204-12	SPA 204	1.4
SUCSPA 204	20	33.3	33.3	73	50.8	38	65	UNC	13	18.3	31.0	SUC 204		
SUCSPA 205-14	7/8	22.2	1 7/16	3	2	1 1/2	2 13/16	3/8"-16	1/2	0.7756	1.3386	SUC 205-14	SPA 205	1.8
SUCSPA 205	25	36.5	76	50.8	38	71	UNC	13	19.7	34.0	SUC 205-16			
SUCSPA 206-18	1 1/8	25.4	1 11/16	4	3	1 1/2	3 3/8	7/16"-14	5/8	0.8740	1.5000	SUC 206-18	SPA 206	2.9
SUCSPA 206	30	42.9	102	76.2	38	86	UNC	16	22.2	38.1	SUC 206-19			
SUCSPA 206-19	1 3/16	28.6										SUC 206-20		
SUCSPA 206-20	1 1/4	31.8										SUC 206-20		
SUCSPA 207-20	1 1/4	31.8										SUC 207-20	SPA 207	3.8
SUCSPA 207-21	1 5/16	39.7										SUC 207-21		
SUCSPA 207-22	1 3/8	34.9										SUC 207-22		
SUCSPA 207	35	47.6	108	82.6	48	95	1/2"-13	3/4	1.0000	1.6890	42.9	SUC 207		
SUCSPA 207-23	1 7/16	41.3										SUC 207-23		
SUCSPA 208-24	1 1/2	38.1	1 15/16	4 5/8	3 1/2	1 7/8	3 15/16	1/2"-13	3/4	1.1890	1.9370	SUC 208-24	SPA 208	4.2
SUCSPA 208	40	49.2	117	88.9	48	100	UNC	19	30.2	49.2	49.2	SUC 208		
SUCSPA 209-27	1 11/16	42.9										SUC 209-27	SPA 209	5.3
SUCSPA 209-28	1 3/4	44.5										SUC 209-28		
SUCSPA 209	45	54.0	127	95.3	51	108	1/2"-13	3/4	1.1890	1.9370	49.2	SUC 209		
SUCSPA 210-31	1 15/16	50.8										SUC 210-31	SPA 210	6.2
SUCSPA 210	50	57.2	140	101.6	2	51	4 5/8	5/8"-11	7/8	1.2835	2.0315	SUC 210		
SUCSPA 210-32	2S											SUC 210-32		



SUCSHA Hanger Units All Stainless Steel



B-type Seal



L3-type Seal

B-type seal available in all styles and sizes.

L3-type seal available in SUC units only. Limited sizes. Consult IPTCI for speed limitations.

Unit No.	Shaft Dia.		Dimensions (in.) (mm)									Bearing No.	Housing No.	Weight (lbs.)	
	d (in.)	d (mm)	A	W	C	H	L	D	K	Bi	N				M
SUCSHA 205-14	7/8	22.2	2 3/4	3 29/32	0	2 33/64	1 9/16	3/4	PF 3/4	1.3386	0.5630	0.7756	SUC 205-14	SHA 205	1.6
SUCSHA 205	25	70	99	64	40	19.1	19.1	-14	34.0	14.3	19.7	SUC 205-16			
SUCSHA 206-18	1 1/8	25.4	3 5/32	4 3/32	0	2 33/64	1 9/16	3/4	PF 3/4	1.5000	0.6260	0.8740	SUC 206-18	SHA 206	1.9
SUCSHA 206	30	80	104	64	40	19.1	19.1	-14	38.1	15.9	22.2	SUC 206-19			
SUCSHA 206-19	1 3/16												SUC 206-20		
SUCSHA 206-20	1 1/4												SUC 206-20		
SUCSHA 207-20	1 1/4	31.8											SUC 207-20	SHA 207	2.6
SUCSHA 207-21	1 5/16	39.7											SUC 207-21		
SUCSHA 207-22	1 3/8	34.9											SUC 207-22		
SUCSHA 207	35	92	116	0	2 3/4	1 9/16	3/4	PF 3/4	1.6890	0.6890	1.0000	SUC 207			
SUCSHA 207-23	1 7/16	41.3											SUC 207-23		