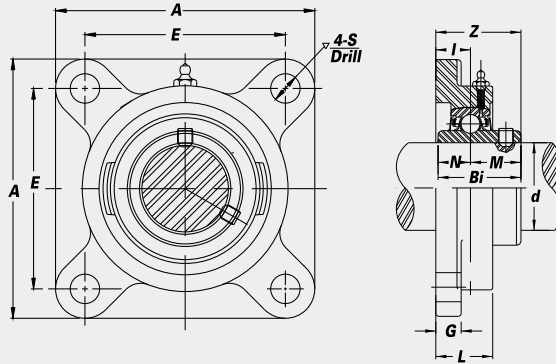


Thermoplastic 4-Bolt Flanges



With Set Screw Lock

Optional bearing inserts:
Stainless Steel-SUCTF
Hard Chrome Coated-CUCTF
Black Oxide-BUCTF

• End Caps Available for all styles.



B-type Seal



L3-type Seal

B-type seal available in all styles and sizes.

L3-type seal available in SUC units only. Limited sizes. Consult IPTCI for speed limitations.

CORROSION RESISTANT

Unit No.	Shaft Dia.		Dimensions (in.) (mm)									Bolt Used (in.)	Bearing No.	Housing No.	Weight (lbs.)
	<i>d</i>	(in.) (mm)	A	E	I	G	L	S	Z	Bi	N				

SUCTF with Stainless Steel Bearing Inserts

SUCTF 201-8 202-10 204-12 204	1/2 5/8 3/4	20	3 3/8 86	2 1/2 64	23/32 18	17/32 13	13/32 28	7/16 11	1 7/16 36.5	1.2205 31.0	0.5000 12.7	0.7205 18.3	3/8	SUC 201-8 202-10 204-12 204	TF 204	.7
SUCTF 205-14 205 205-16	7/8 1	25	3 3/4 95	2 3/4 70	43/64 17	9/16 14	13/32 28	7/16 11	1 7/16 36.5	1.3386 34.0	0.5630 14.3	0.7756 19.7	3/8	SUC 205-14 205 205-16	TF 205	.8
SUCTF 206-18 206 206-19 206-20	1 1/8 1 3/16 1 1/4 S	30	4 1/4 108	3 1/4 83	3/4 19	9/16 14	1 1/4 32	7/16 11	1 5/8 41.3	1.5000 38.1	0.6260 15.9	0.8740 22.2	3/8	SUC 206-18 206 206-19 206-20	TF 206	1.1
SUCTF 207-20 207-21 207-22 207 207-23	1 1/4 1 5/16 1 3/8 1 7/16	35	4 21/32 118	3 5/8 92	27/32 21	5/8 16	1 3/8 35	33/64 13	1 27/32 46.8	1.6890 42.9	0.6890 17.5	1.0000 25.4	7/16	SUC 207-20 207-21 207-22 207 207-23	TF 207	1.7
SUCTF 208-24 208	1 1/2	40	5 1/8 130	4 102	29/32 23	21/32 17	1 15/32 37	35/64 14	2 3/32 53.2	1.9370 49.2	0.7480 19.0	1.1890 30.2	1/2	SUC 208-24 208	TF 208	2.2

CUCTF with Hard Chrome Coated Bearing Inserts

CUCTF 204-12 204	3/4	20	3 3/8 86	2 1/2 64	23/32 18	17/32 13	13/32 28	7/16 11	1 7/16 36.5	1.2205 31.0	0.5000 12.7	0.7205 18.3	3/8	CUC 204-12 204	TF 204	.7
CUCTF 205-14 205 205-16	7/8 1	25	3 3/4 95	2 3/4 70	43/64 17	9/16 14	13/32 28	7/16 11	1 7/16 36.5	1.3386 34.0	0.5630 14.3	0.7756 19.7	3/8	CUC 205-14 205 205-16	TF 205	.8
CUCTF 206-18 206 206-19 206-20	1 1/8 1 3/16 1 1/4 S	30	4 1/4 108	3 1/4 83	3/4 19	9/16 14	1 1/4 32	7/16 11	1 5/8 41.3	1.5000 38.1	0.6260 15.9	0.8740 22.2	3/8	CUC 206-18 206 206-19 206-20	TF 206	1.1
CUCTF 207-20 207-22 207 207-23	1 1/4 1 3/8 1 7/16	35	4 21/32 118	3 5/8 92	27/32 21	5/8 16	1 3/8 35	33/64 13	1 27/32 46.8	1.6890 42.9	0.6890 17.5	1.0000 25.4	7/16	CUC 207-20 207-22 207 207-23	TF 207	1.7
CUCTF 208-24 208	1 1/2	40	5 1/8 130	4 102	29/32 23	21/32 17	1 15/32 37	35/64 14	2 3/32 53.2	1.9370 49.2	0.7480 19.0	1.1890 30.2	1/2	CUC 208-24 208	TF 208	2.2

BUCTF with Black Oxide Bearing Inserts

BUCTF 201-8 202-10 204-12 204	1/2 5/8 3/4	20	3 3/8 86	2 1/2 64	23/32 18	17/32 13	13/32 28	7/16 11	1 7/16 36.5	1.2205 31.0	0.5000 12.7	0.7205 18.3	3/8	BUC 201-8 202-10 204-12 204	TF 204	.7
BUCTF 205-14 205 205-16	7/8 1	25	3 3/4 95	2 3/4 70	43/64 17	9/16 14	13/32 28	7/16 11	1 7/16 36.5	1.3386 34.0	0.5630 14.3	0.7756 19.7	3/8	BUC 205-14 205 205-16	TF 205	.8
BUCTF 206-18 206 206-19 206-20	1 1/8 1 3/16 1 1/4 S	30	4 1/4 108	3 1/4 83	3/4 19	9/16 14	1 1/4 32	7/16 11	1 5/8 41.3	1.5000 38.1	0.6260 15.9	0.8740 22.2	3/8	BUC 206-18 206 206-19 206-20	TF 206	1.1
BUCTF 207-20 207-22 207 207-23	1 1/4 1 3/8 1 7/16	35	4 21/32 118	3 5/8 92	27/32 21	5/8 16	1 3/8 35	33/64 13	1 27/32 46.8	1.6890 42.9	0.6890 17.5	1.0000 25.4	7/16	BUC 207-20 207-22 207 207-23	TF 207	1.7
BUCTF 208-24 208	1 1/2	40	5 1/8 130	4 102	29/32 23	21/32 17	1 15/32 37	35/64 14	2 3/32 53.2	1.9370 49.2	0.7480 19.0	1.1890 30.2	1/2	BUC 208-24 208	TF 208	2.2