

# Thermoplastic 3-Bolt Flanges

## With Set Screw Lock

Optional bearing inserts:  
**Stainless Steel-SUCTFB**  
**Hard Chrome Coated-CUCTFB**  
**Black Oxide-BUCTFB**

• End Caps Available for all styles.



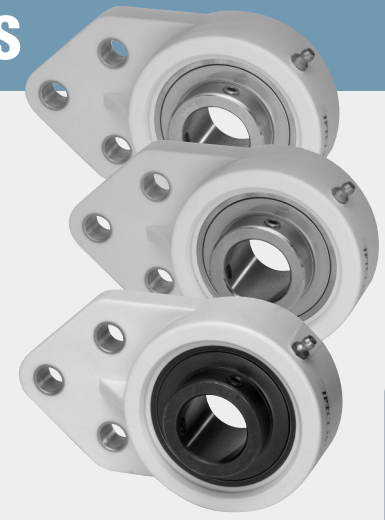
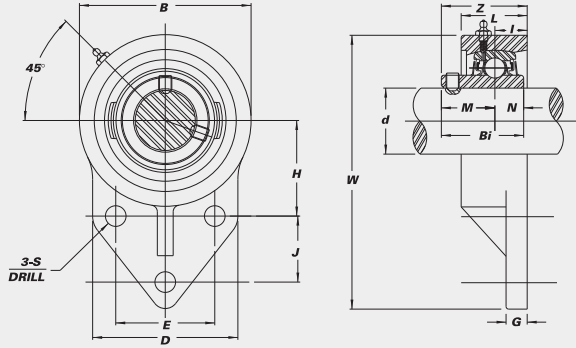
B-type Seal



L3-type Seal

B-type seal available in all styles and sizes.

L3-type seal available in SUC units only. Limited sizes. Consult IPTCI for speed limitations.



CORROSION RESISTANT

Unit No.	Shaft Dia.		Dimensions (in. / mm)													Bolt Used (in.)	Bearing No.	Housing No.	Weight (lbs.)
	d (in.)	d (mm)	W	B	D	L	S	G	H	J	E	I	Z	Bi	N				

### SUCTFB with Stainless Steel Bearing Inserts

SUCTFB 201-8 202-10 204-12 204	1/2 5/8 3/4	20	4 1/4 108	2 1/2 64	2 7/16 62	1 1/32 26	25/64 9.9	7/16 11	1 11/16 43.3	7/8 22.2	1 1/2 38.1	19/32 15	1 5/16 33.3	1.2205 31.0	0.5000 12.7	0.7205 18.3	5/16	SUC 201-8 202-10 204-12 204	TFB 204	.6
SUCTFB 205-14 205 205-16	7/8 1	25	4 3/4 121	2 3/4 70	2 1/2 64	1 11/32 34	25/64 9.9	7/16 11	1 13/16 46.0	1 1/8 28.6	1 5/8 41.3	21/32 16.5	1 15/32 37.1	1.3386 34.0	0.5630 14.3	0.7756 19.7	5/16	SUC 205-14 205 205-16	TFB 205	.7
SUCTFB 206-18 206 206-19 206-20	1 1/8 1 3/16 1 1/4 S	30	5 3/8 137	3 1/4 83	3 76	1 1/4 32	25/64 9.9	17/32 13	2 1/16 52.4	1 1/4 31.8	1 7/8 47.6	45/64 18	1 19/32 40.6	1.5000 38.1	0.6260 15.9	0.8740 22.2	5/16	SUC 206-18 206 206-19 206-20	TFB 206	1.1
SUCTFB 207-20 207-21 207-22 207 207-23	1 1/4 1 5/16 1 3/8 1 7/16	35	6 1/8 156	3 3/4 95	3 1/2 89	1 7/16 37	33/64 13.1	41/64 16	2 3/8 60.3	1 1/4 31.8	2 50.8	3/4 19	1 49/64 45.0	1.6890 42.9	0.6890 17.5	1.0000 25.4	7/16	SUC 207-20 207-21 207-22 207 207-23	TFB 207	1.5

### CUCTFB with Hard Chrome Coated Bearing Inserts

CUCTFB 204-12 204	3/4	20	4 1/4 108	2 1/2 64	2 7/16 62	1 1/32 26	25/64 9.9	7/16 11	1 11/16 43.3	7/8 22.2	1 1/2 38.1	19/32 15	1 5/16 33.3	1.2205 31.0	0.5000 12.7	0.7205 18.3	5/16	CUC 204-12 204	TFB 204	.6
CUCTFB 205-14 205 205-16	7/8 1	25	4 3/4 121	2 3/4 70	2 1/2 64	1 11/32 34	25/64 9.9	7/16 11	1 13/16 46.0	1 1/8 28.6	1 5/8 41.3	21/32 16.5	1 15/32 37.1	1.3386 34.0	0.5630 14.3	0.7756 19.7	5/16	CUC 205-14 205 205-16	TFB 205	.7
CUCTFB 206-18 206 206-19 206-20	1 1/8 1 3/16 1 1/4 S	30	5 3/8 137	3 1/4 83	3 76	1 1/4 32	25/64 9.9	17/32 13	2 1/16 52.4	1 1/4 31.8	1 7/8 47.6	45/64 18	1 19/32 40.6	1.5000 38.1	0.6260 15.9	0.8740 22.2	5/16	CUC 206-18 206 206-19 206-20	TFB 206	1.1
CUCTFB 207-20 207-22 207 207-23	1 1/4 1 3/8 1 7/16	35	6 1/8 156	3 3/4 95	3 1/2 89	1 7/16 37	33/64 13.1	41/64 16	2 3/8 60.3	1 1/4 31.8	2 50.8	3/4 19	1 49/64 45.0	1.6890 42.9	0.6890 17.5	1.0000 25.4	7/16	CUC 207-20 207-22 207 207-23	TFB 207	1.5

### BUCTFB with Black Oxide Bearing Inserts

BUCTFB 201-8 202-10 204-12 204	1/2 5/8 3/4	20	4 1/4 108	2 1/2 64	2 7/16 62	1 1/32 26	25/64 9.9	7/16 11	1 11/16 43.3	7/8 22.2	1 1/2 38.1	19/32 15	1 5/16 33.3	1.2205 31.0	0.5000 12.7	0.7205 18.3	5/16	BUC 201-8 202-10 204-12 204	TFB 204	.6
BUCTFB 205-14 205 205-16	7/8 1	25	4 3/4 121	2 3/4 70	2 1/2 64	1 11/32 34	25/64 9.9	7/16 11	1 13/16 46.0	1 1/8 28.6	1 5/8 41.3	21/32 16.5	1 15/32 37.1	1.3386 34.0	0.5630 14.3	0.7756 19.7	5/16	BUC 205-14 205 205-16	TFB 205	.7
BUCTFB 206-18 206 206-19 206-20	1 1/8 1 3/16 1 1/4 S	30	5 3/8 137	3 1/4 83	3 76	1 1/4 32	25/64 9.9	17/32 13	2 1/16 52.4	1 1/4 31.8	1 7/8 47.6	45/64 18	1 19/32 40.6	1.5000 38.1	0.6260 15.9	0.8740 22.2	5/16	BUC 206-18 206 206-19 206-20	TFB 206	1.1
BUCTFB 207-20 207-21 207-22 207 207-23	1 1/4 1 5/16 1 3/8 1 7/16	35	6 1/8 156	3 3/4 95	3 1/2 89	1 7/16 37	33/64 13.1	41/64 16	2 3/8 60.3	1 1/4 31.8	2 50.8	3/4 19	1 49/64 45.0	1.6890 42.9	0.6890 17.5	1.0000 25.4	7/16	BUC 207-20 207-21 207-22 207 207-23	TFB 207	1.5