

# UCF 4-Bolt Flange Units



## Standard duty with set screw lock.

- Cast iron housing
- Wide inner race bearing

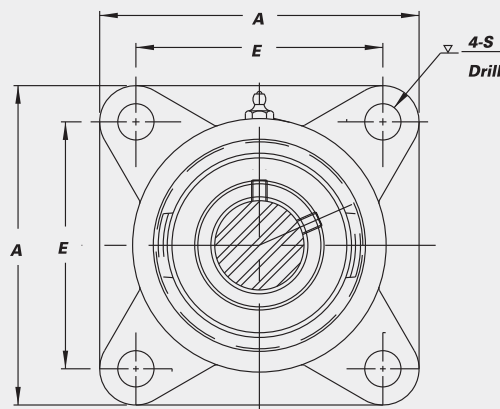
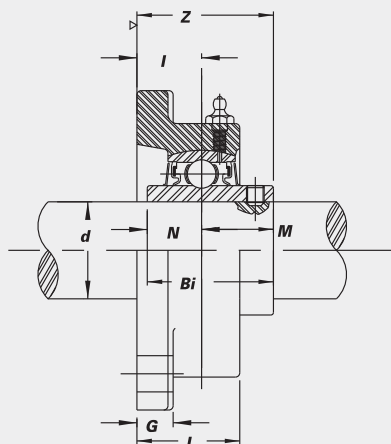
- B-type or L3 type seals
- Available with high temp. bearing - See page 46



B-type Seal



L3-type Seal



STANDARD PRODUCTS

Unit No.	Shaft Dia.		Dimensions (in.) (mm)										Bolt Used (in.)	Bearing No.	Housing No.	Weight (lbs.)	
	d (in.)	d (mm)	A	E	I	G	L	S	Z	Bi	N	M					
UCF 201		12													UCW 201		
201-8	1/2		3	2 1/8	2 1/32	3/8	1 3/32	7/16	1 9/32	1.0236	0.3937	0.6299	3/8	201-8			
202	5/8	15	76	54	16.7	10	28	11	32.7	26.0	10.0	16.0		202	F 203	1.2	
202-10														202-10			
203		17												203			
UCF 204-12	3/4	20	86	64	15	11	25.4	11	33.3	31.0	12.7	18.3	3/8	UC 204-12	F 204	1.4	
204														204			
UCF 205-14	7/8	25	95	70	16	13	27	11.5	35.7	34.0	14.3	19.7	3/8	UC 205-14	F 205	1.9	
205-15	1 1/16													205-15			
205														205			
205-16	1													205-16			
UCF 206-17	1 1/16	30	108	83	18	13	31	13	40.2	38.1	15.9	22.2	7/16	UC 206-17	F 206	2.4	
206-18	1 1/8													206-18			
206														206			
206-19	1 3/16													206-19			
206-20	1 1/4 S													206-20			
UCF 207-20	1 1/4	35	117	92	19	15	34	13	44.4	42.9	17.5	25.4	7/16	UC 207-20	F 207	3.3	
207-21	1 5/16													207-21			
207-22	1 3/8													207-22			
207														207			
207-23	1 7/16													207-23			
UCF 208-24	1 1/2	40	130	102	21	15	36	14	51.2	49.2	19.0	30.2	1/2	UC 208-24	F 208	4.2	
208-25	1 9/16													208-25			
208														208			
UCF 209-26	1 5/8	45	137	105	22	16	38	16	52.2	49.2	19.0	30.2	9/16	UC 209-26	F 209	5.2	
209-27	1 11/16													209-27			
209-28	1 3/4													209-28			
209														209			
UCF 210-30	1 7/8	50	143	111	22	16	40	16	54.6	51.6	19.0	32.6	9/16	UC 210-30	F 210	5.6	
210-31	1 15/16													210-31			
210														210			
210-32	2 S													210-32			
UCF 211-32	2	55	165	130	25	18	43	17	58.4	55.6	22.2	33.4	5/8	UC 211-32	F 211	7.7	
211-34	2 1/8													211-34			
211														211			
211-35	2 3/16													211-35			
UCF 212-36	2 1/4	60	175	143	29	18	48	17	68.7	65.1	25.4	39.7	5/8	UC 212-36	F 212	9.4	
212														212			
212-38	2 3/8													212-38			
212-39	2 7/16													212-39			
UCF 213-40	2 1/2	65	187	149	30	22	50	17	69.7	65.1	25.4	39.7	5/8	UC 213-40	F 213	12.9	
213														213			
UCF 214-43	2 11/16	70	193	152	31	23	54	19	75.4	74.6	30.2	44.4	1 1/16	UC 214-43	F 214	13.9	
214-44	2 3/4													214-44			
214														214			
UCF 215-47	2 15/16	75	200	159	34	22	56	19	78.5	77.8	33.3	44.5	1 1/16	UC 215-47	F 215	17.0	
215														215			
215-48	3													215-48			

\*Also available as 6", where Z = 3 3/8"—specify UCNE. Interchange Page 47